

Kit Contents

SINGLE SIDED HANDRAIL KIT FOR 3/4/5/6/7/8/9/10 STEPS:

- A. 1 X 95MM NOTCHED NEWEL POST
- B. 1 X 180MM NOTCHED NEWEL POST
- C. 3 X 45DEGREE HAND/BASE RAILS (1 BASE RAIL, 2 HANDRAIL)
- D. SPINDLES*
- E. 50MM SCREWS*
- F. 75MM SCREWS*

SINGLE SIDED HANDRAIL KIT FOR 11/12 STEPS:

- A. 2 X 95MM NOTCHED NEWEL POST
- B. 1 X 180MM NOTCHED NEWEL POST
- C. 6 X 45DEGREE HAND/BASE RAILS (2 BASE RAIL, 4 HANDRAIL)
- D. SPINDLES*
- E. 50MM SCREWS*
- F. 75MM SCREWS*

DOUBLE SIDED HANDRAIL KIT FOR 3/4/5/6/7/8/9/10 STEPS:

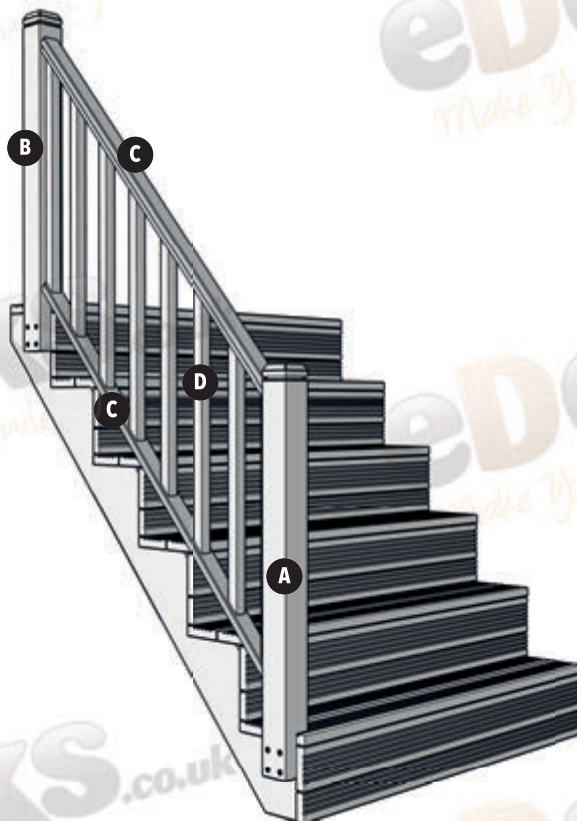
- A. 2 X 95MM NOTCHED NEWEL POST
- B. 2 X 180MM NOTCHED NEWEL POST
- C. 6 X 45DEGREE HAND/BASE RAILS (2 BASE RAIL, 4 HANDRAIL)
- D. SPINDLES*
- E. 50MM SCREWS*
- F. 75MM SCREWS*

DOUBLE SIDED HANDRAIL KIT FOR 11/12 STEPS:

- A. 4 X 95MM NOTCHED NEWEL POST (POST A)
- B. 2 X 180MM NOTCHED NEWEL POST (POST B)
- C. 12 X 45DEGREE HAND/BASE RAILS (4 BASE RAIL, 8 HANDRAIL)
- D. SPINDLES*
- E. 50MM SCREWS*
- F. 75MM SCREWS*

***PLEASE NOTE. THE NUMBER OF SPINDLES & SCREWS PROVIDED IS DEPENDENT ON KIT SIZE.**

Don't forget to check your work with a level as you go!



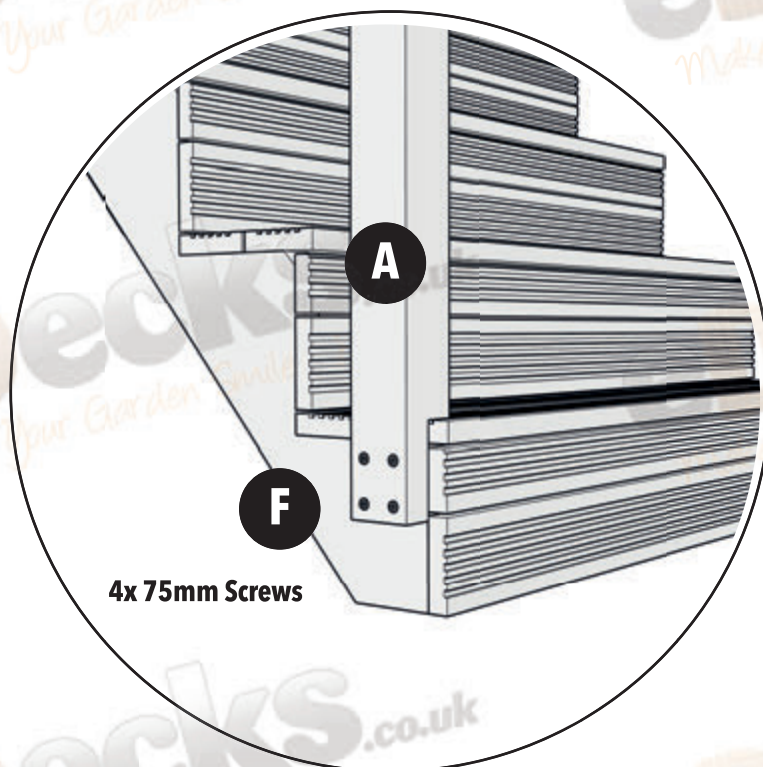
Step Stringer Handrail Fitting Instructions



Step 1

Align the first newel post (95mm notched post A) with the edge of the bottom step. Rest the notch on top of the step.

Secure into the side of the step stringer with 4 x 75mm screws as shown in diagram opposite.

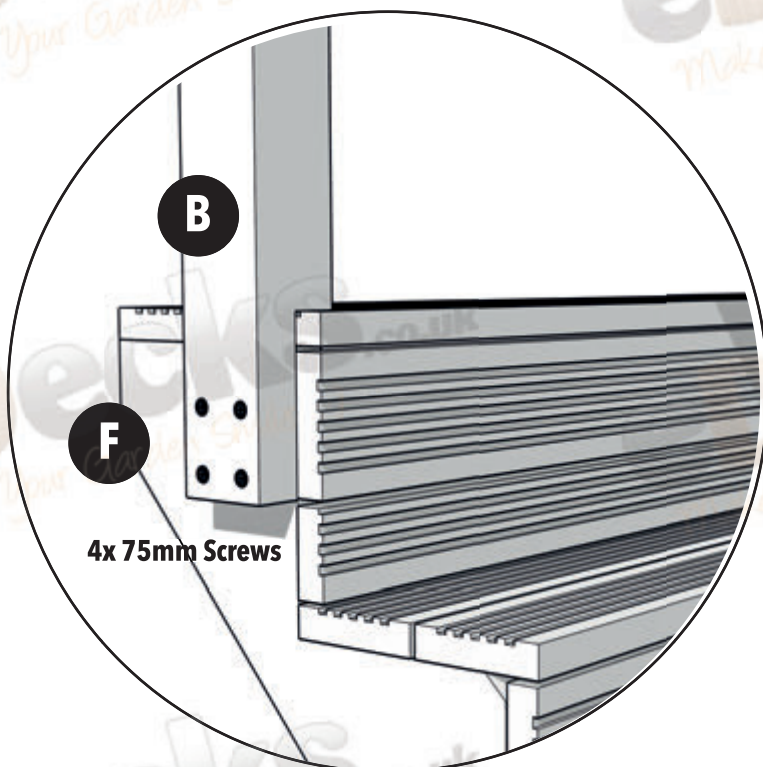


Step 2

Align the second newel post (180mm notched post B) with the front edge of the top step.

Secure into the side of the step stringer with 4 x 75mm screws.

If assembling an 11 or 12 step kit, you will have an additional newel post (A) to sit in between posts (A) and (B).



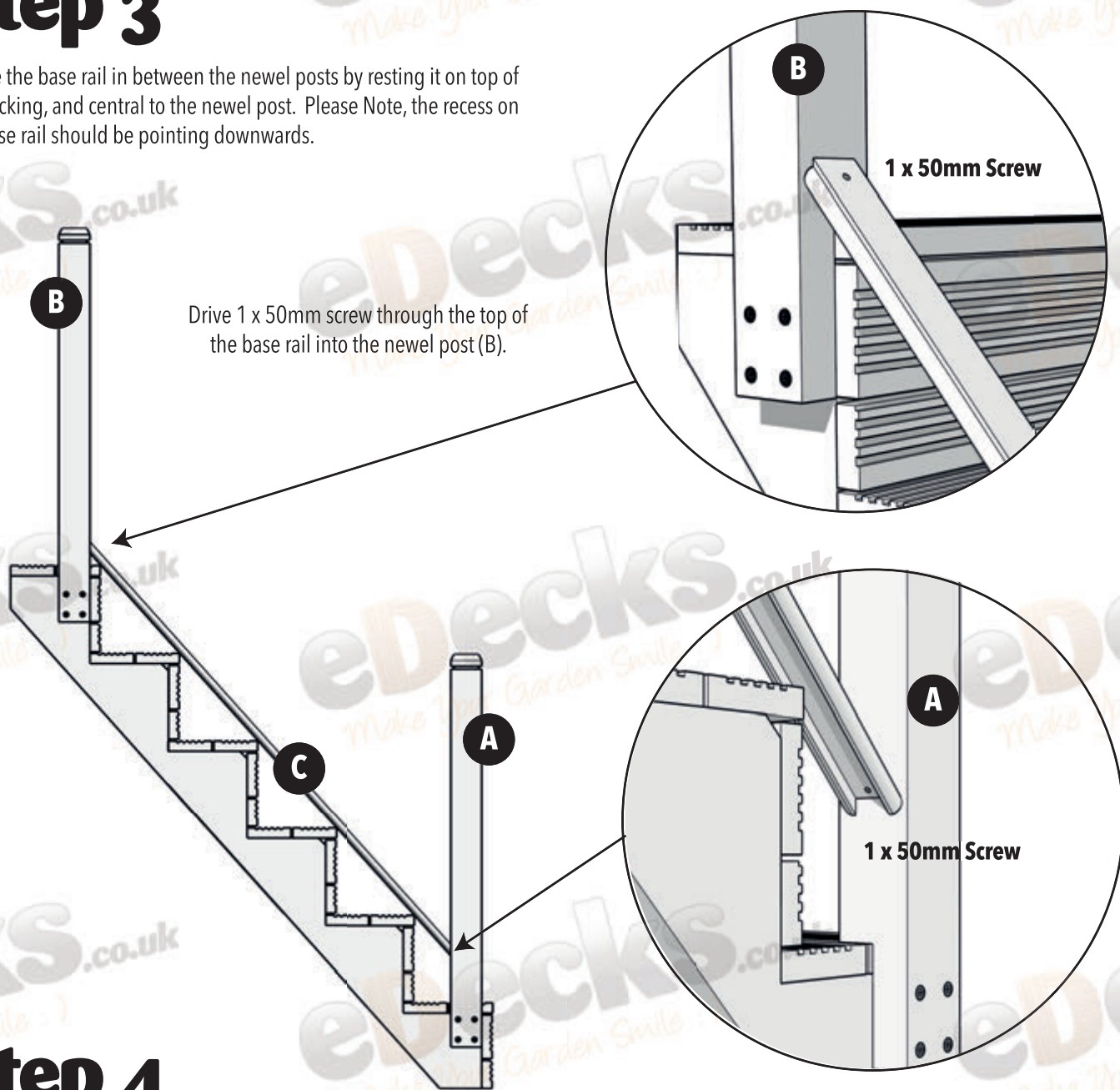
Don't forget to check your work with a level as you go!

Step Stringer Handrail Fitting Instructions



Step 3

Secure the base rail in between the newel posts by resting it on top of the decking, and central to the newel post. Please Note, the recess on the base rail should be pointing downwards.



Drive 1 x 50mm screw through the top of the base rail into the newel post (B).

B

1 x 50mm Screw

B

C

A

A

1 x 50mm Screw

Step 4

Secure the bottom of the base rail into newel post (A) by driving 1 x 50mm screw through the underside of the base rail.

Drive 1 x 50mm screw through the underside of the base rail into the newel post (A).

Repeat the above steps for between the next newel posts, if assembling an 11 or 12 step kit.

Don't forget to check your work with a level as you go!

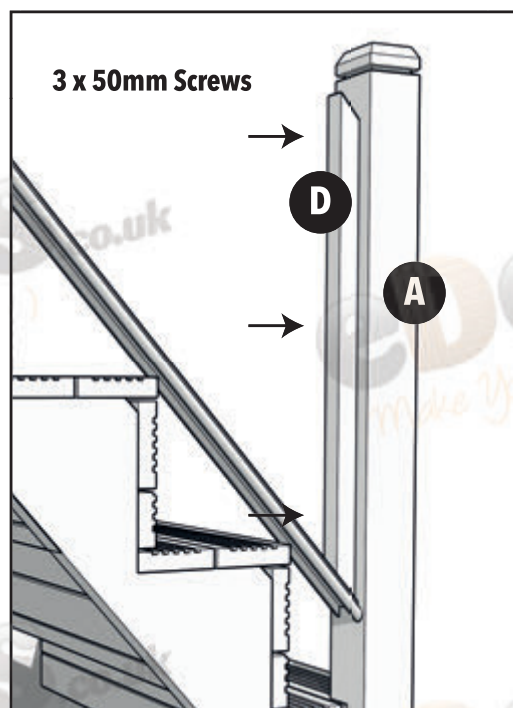
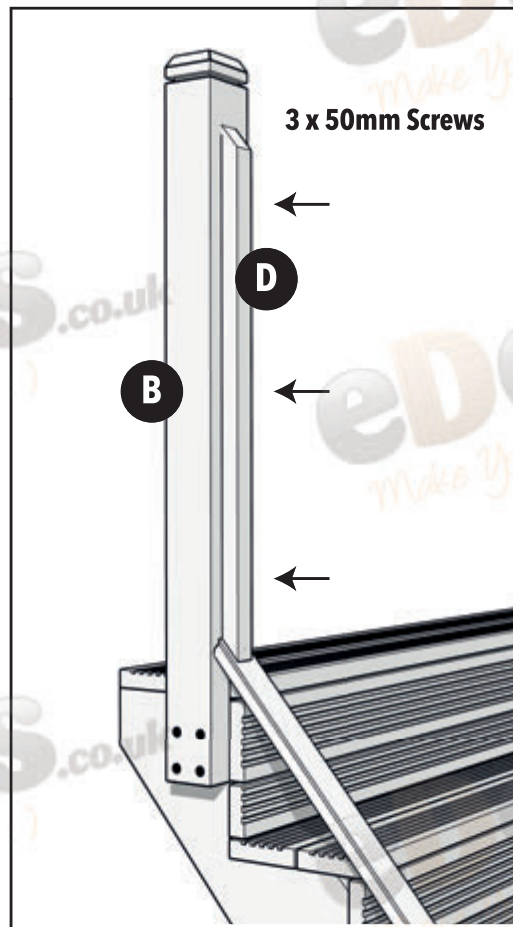
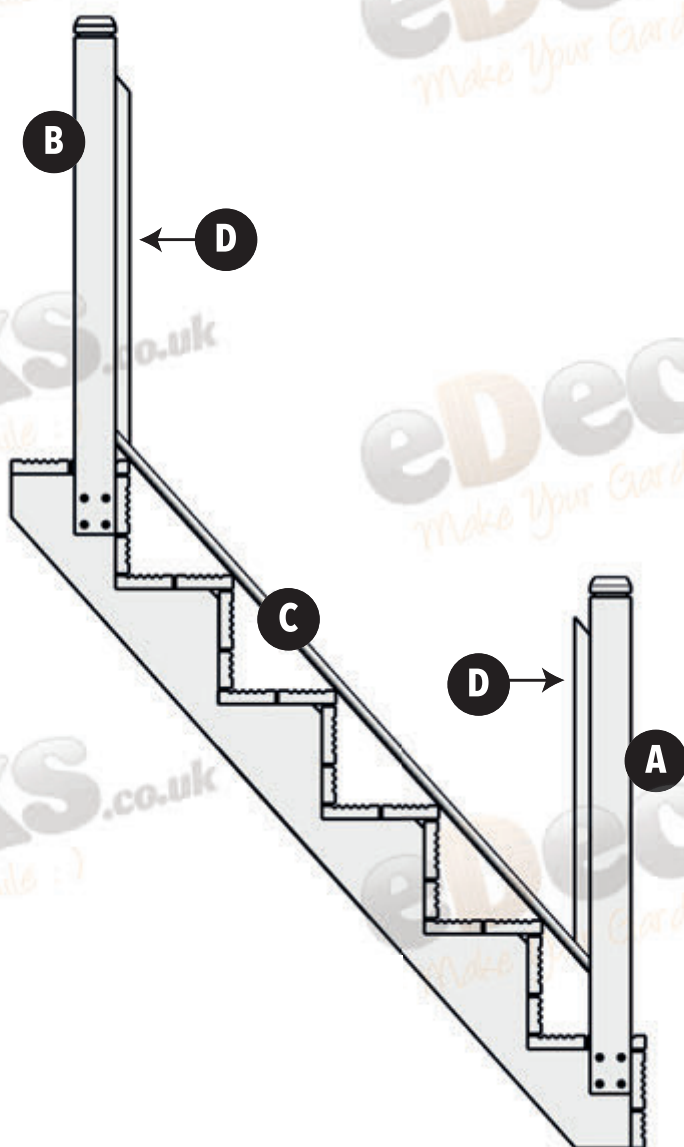


Step 5

Place 1 angled spindle (D) on top of the base rail and flush against newel post (B),

Secure the spindle to the newel post with 3 x equally spaced 50mm screws.

Mirror this by securing another angled spindle flush against newel post (A)



Don't forget to check your work with a level as you go!

Step Stringer Handrail Fitting Instructions



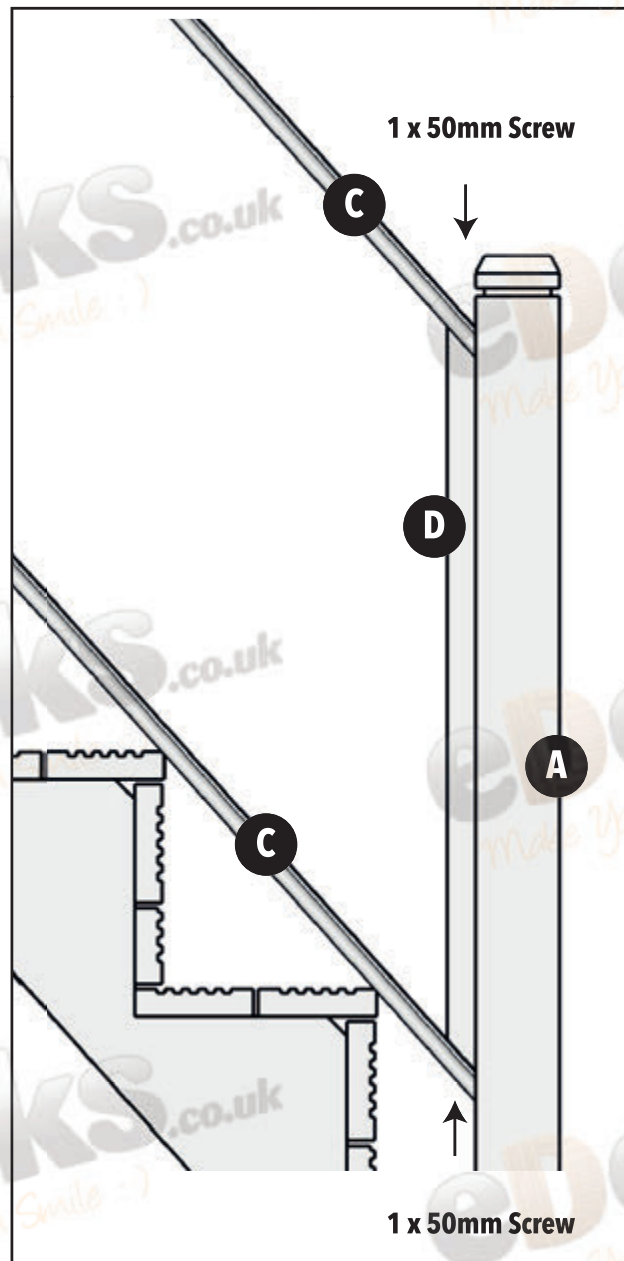
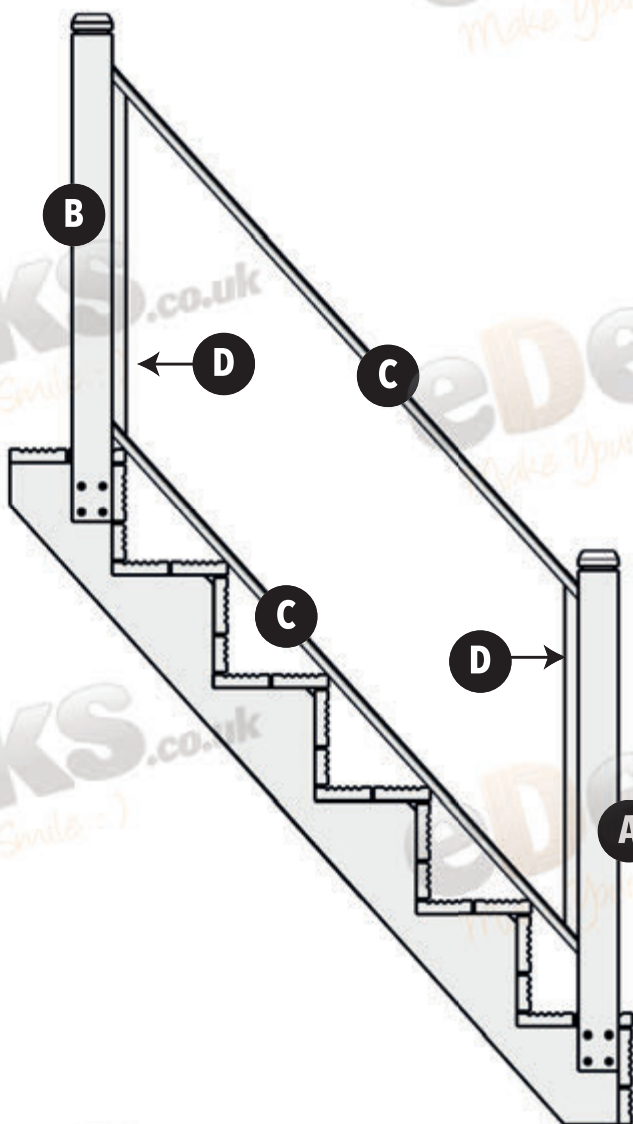
Step 6

Drop the first piece of handrail on top of the pre secured spindles.

Drive 1 x 50mm screw through the handrail into the spindle.

Drive 1 x 50mm screw through the base rail into the spindle.

Then repeat process for the top spindle.

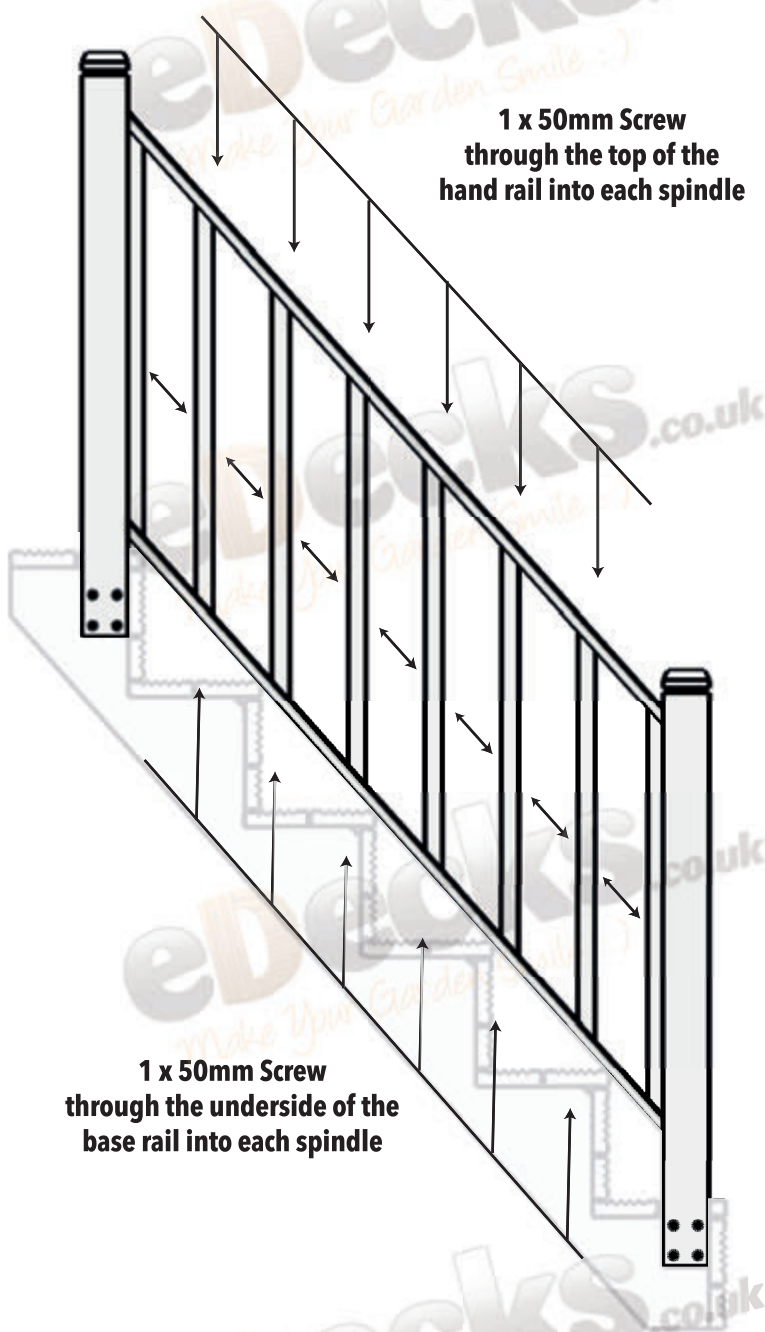


Don't forget to check your work with a level as you go!

Step 7

Equally space* the remaining spindles and secure again with 2 x 50mm screws. One through the handrail, and one through the underside of the base rail, as shown in diagram below.

*Please note, you will need to keep the same spindle spacing for between all newel posts if assembling an 11/12 step kit. This will result in a smaller spacing at the top, but it will make the spacing appear correct.



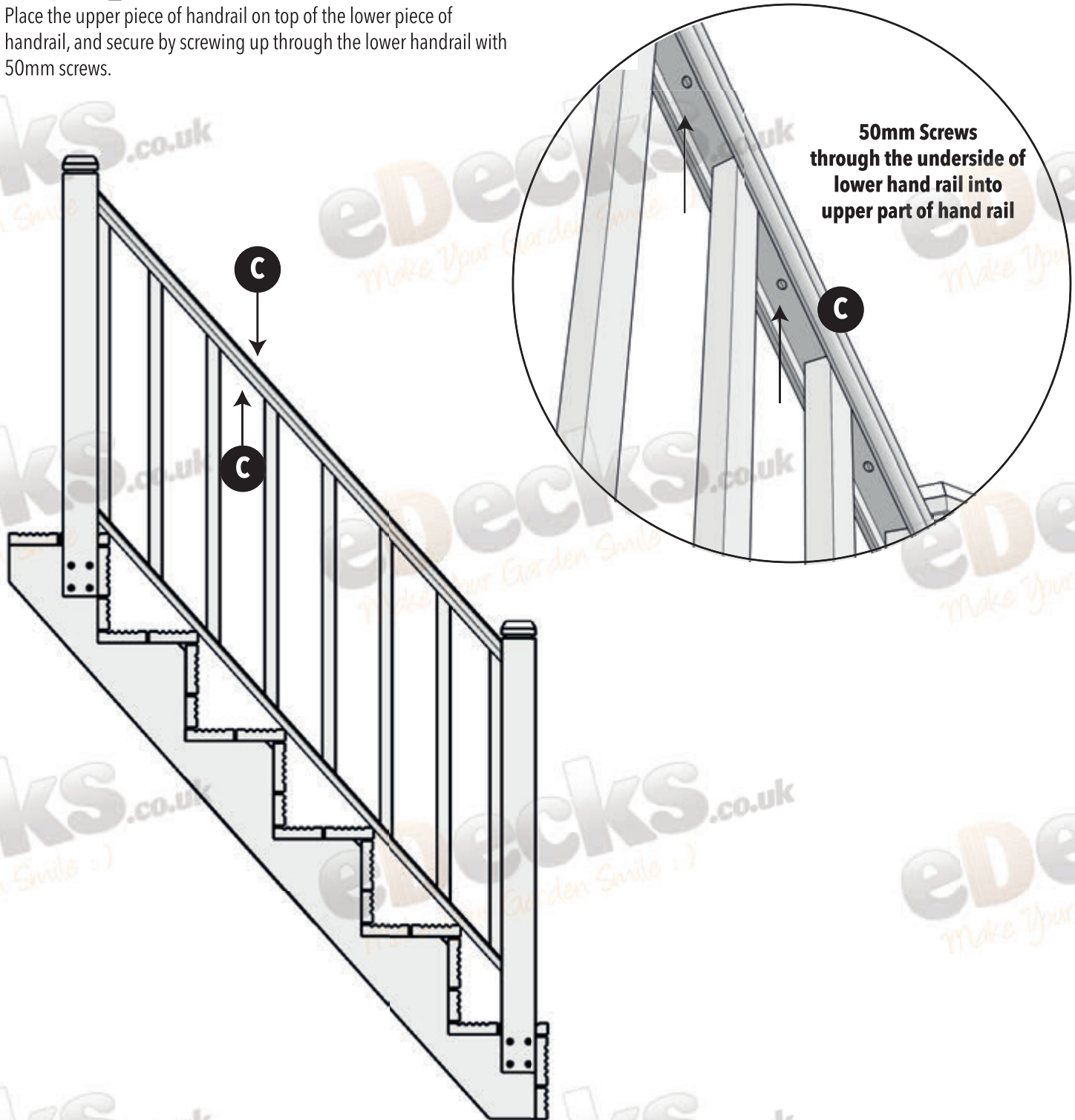
Don't forget to check your work with a level as you go!

Step Stringer Handrail Fitting Instructions



Step 8

Place the upper piece of handrail on top of the lower piece of handrail, and secure by screwing up through the lower handrail with 50mm screws.



Don't forget to check your work with a level as you go!

Step Stringer Handrail Fitting Instructions



Finish!



Enjoy your newly built handrails!

Page 8 of 8

All images are for illustration only, Please see individual item listings for actual item specifications