

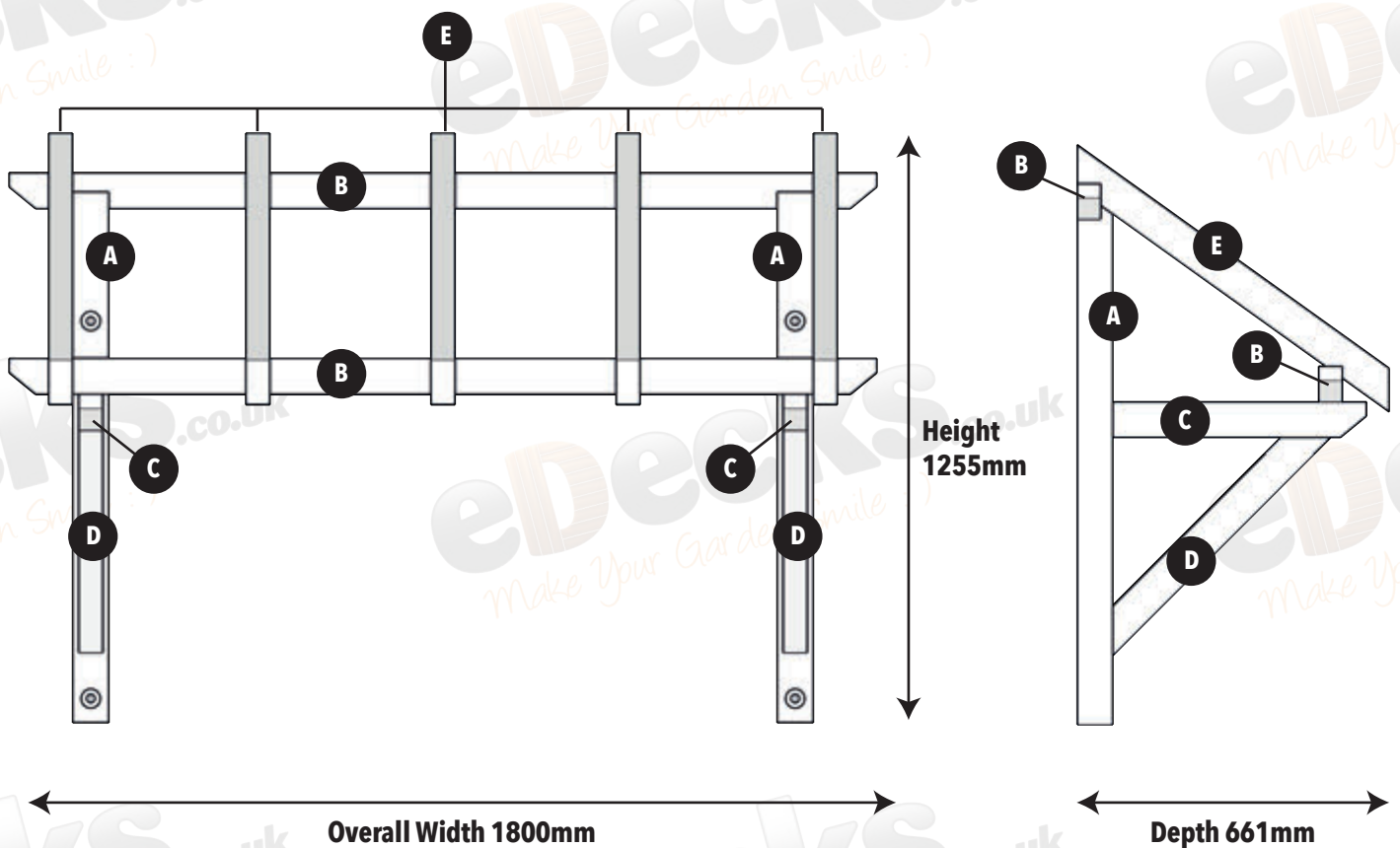


Kit Contents

- A** 2 x Wall Supports 75 x 75mm / 1100mm long
- B** 2 x Horizontal Roof Supports 75 x 50mm / 1800mm long
- C** 2 x Horizontal One End Angle Cut Supports 75 x 50mm / 535mm long
- D** 2 x Both End Angle Cut Supports 75 x 50mm / 650mm long
- E** 5 x Angle Cut Top Rafters 815mm long
- F** 10 x 100mm Wood Screws
- G** 12 x 120mm Wood Screws

No fixings are included to attach the canopy to your building. These must be purchased separately.

Please note these instructions are given as a guide



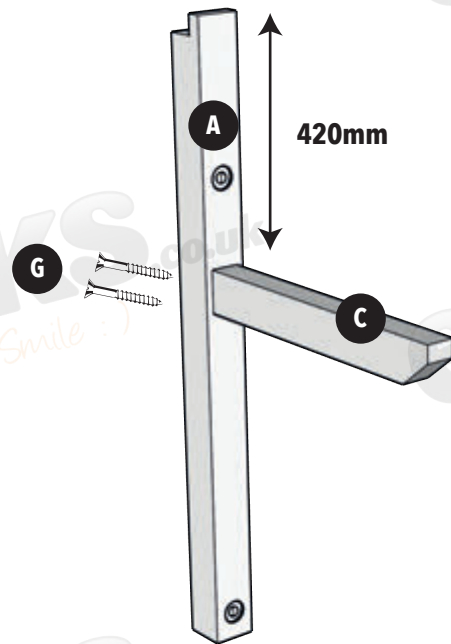
Don't forget to check your work with a level as you go!

Step 1

Take one Wall Support (A) and attach one of the Horizontal One End Angle Cut Supports (C) using two 120mm Wood Screws (G) The distance between the top of the Wall Support and the One End Angle Cut Supports should be 420mm.

Please note - the top of wall support (A) has a notch for a horizontal support (B) and the bottom of the Wall Support (A) has a round wall fixing cut out.

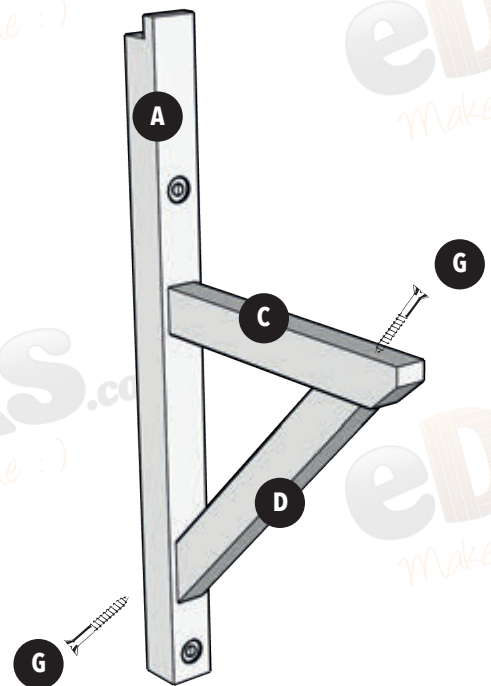
(Fixing not included to attach to the wall)



Step 2

Now place one of the Both End Angle Cut Supports (D) in-between the connected timbers from Step One. This is to brace the horizontal support (C)

Once both of the Both Angle Cut ends are flush with both of the timbers, fasten into place using one 120mm Wood Screw (G) either end.



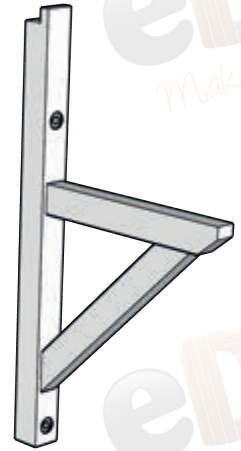
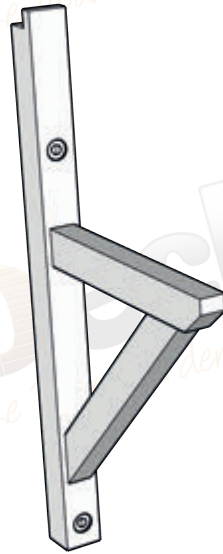
Don't forget to check your work with a level as you go!

Porch Canopy Fitting Instructions



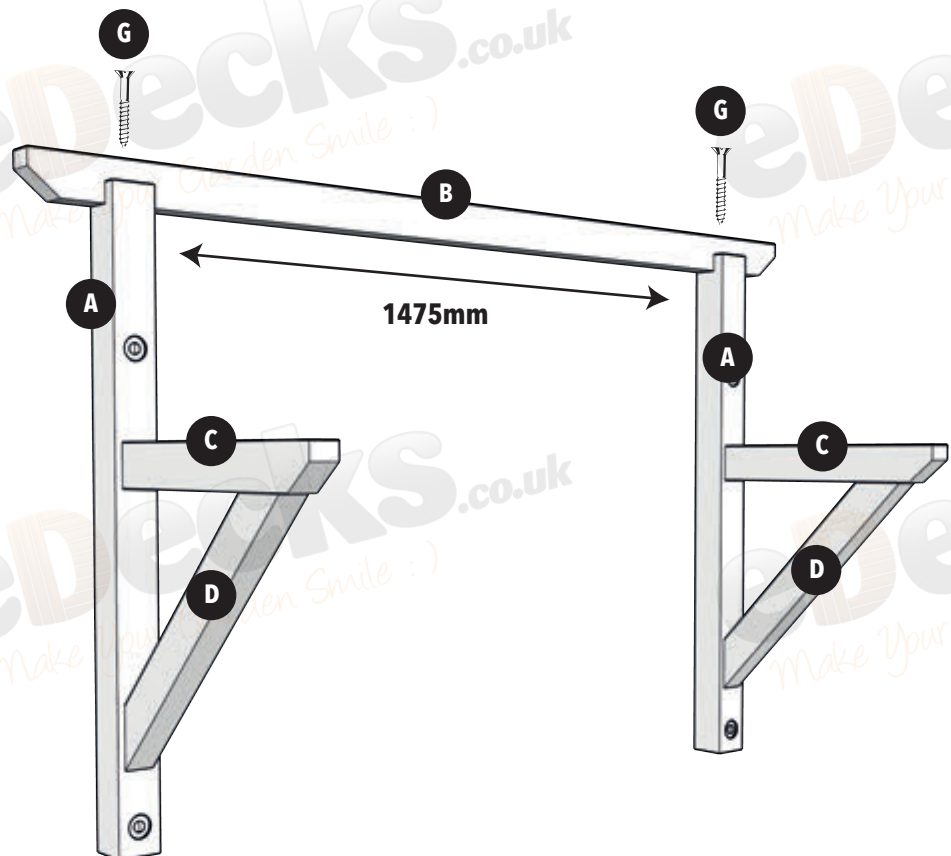
Step 3

Repeat Steps One and Two to give you two assembled wall supports.



Fasten one Horizontal Roof Support (B) to the top of the two Wall Supports (A) with a distance of 1475mm between each Wall Support. Use one 120mm Wood Screw (G) to secure each side.

Make sure the horizontal roof support (B) is central.



Don't forget to check your work with a level as you go!

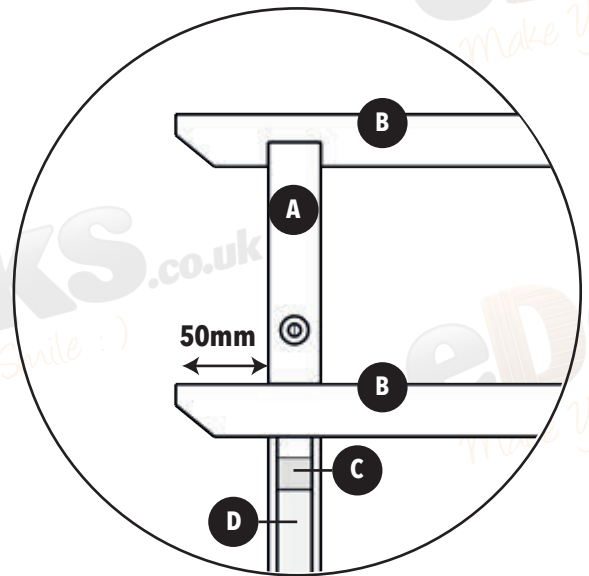
Porch Canopy Fitting Instructions



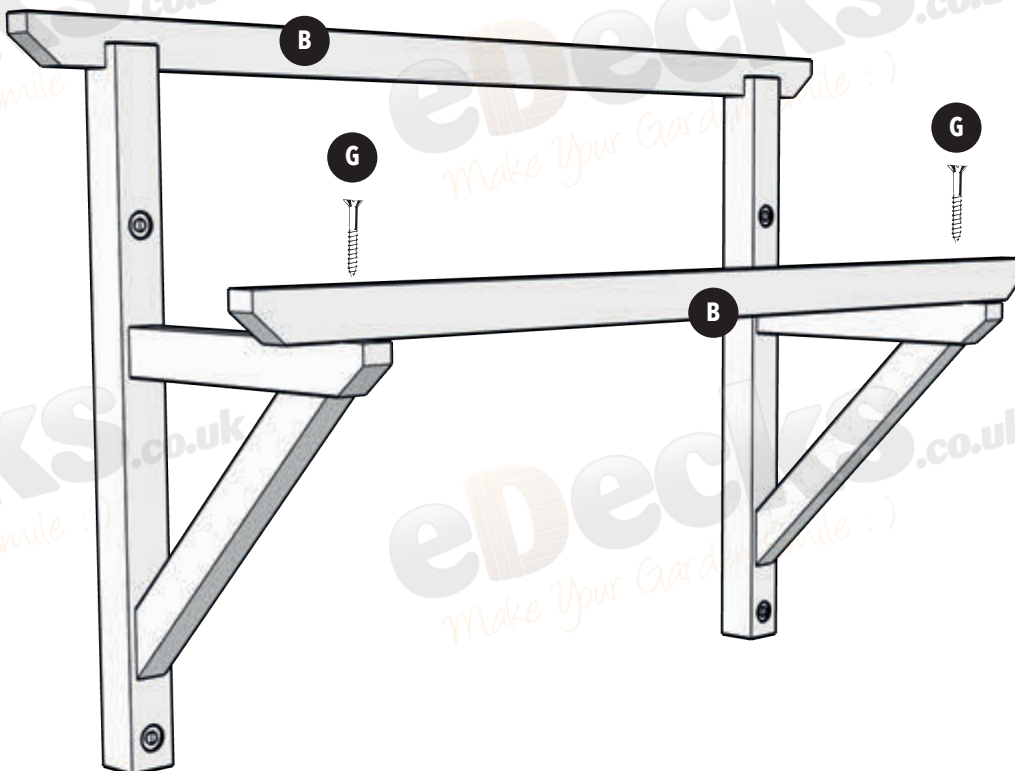
Step 4

Using the second Horizontal Roof Support (B), secure this 50mm from the end of the Horizontal One End Angle Cut Supports (C). As indicated on the diagram to the right. Mirror this for the other end.

Use one 120mm Wood Screw (G) to secure each side.



FRONT VIEW



Don't forget to check your work with a level as you go!

Porch Canopy Fitting Instructions

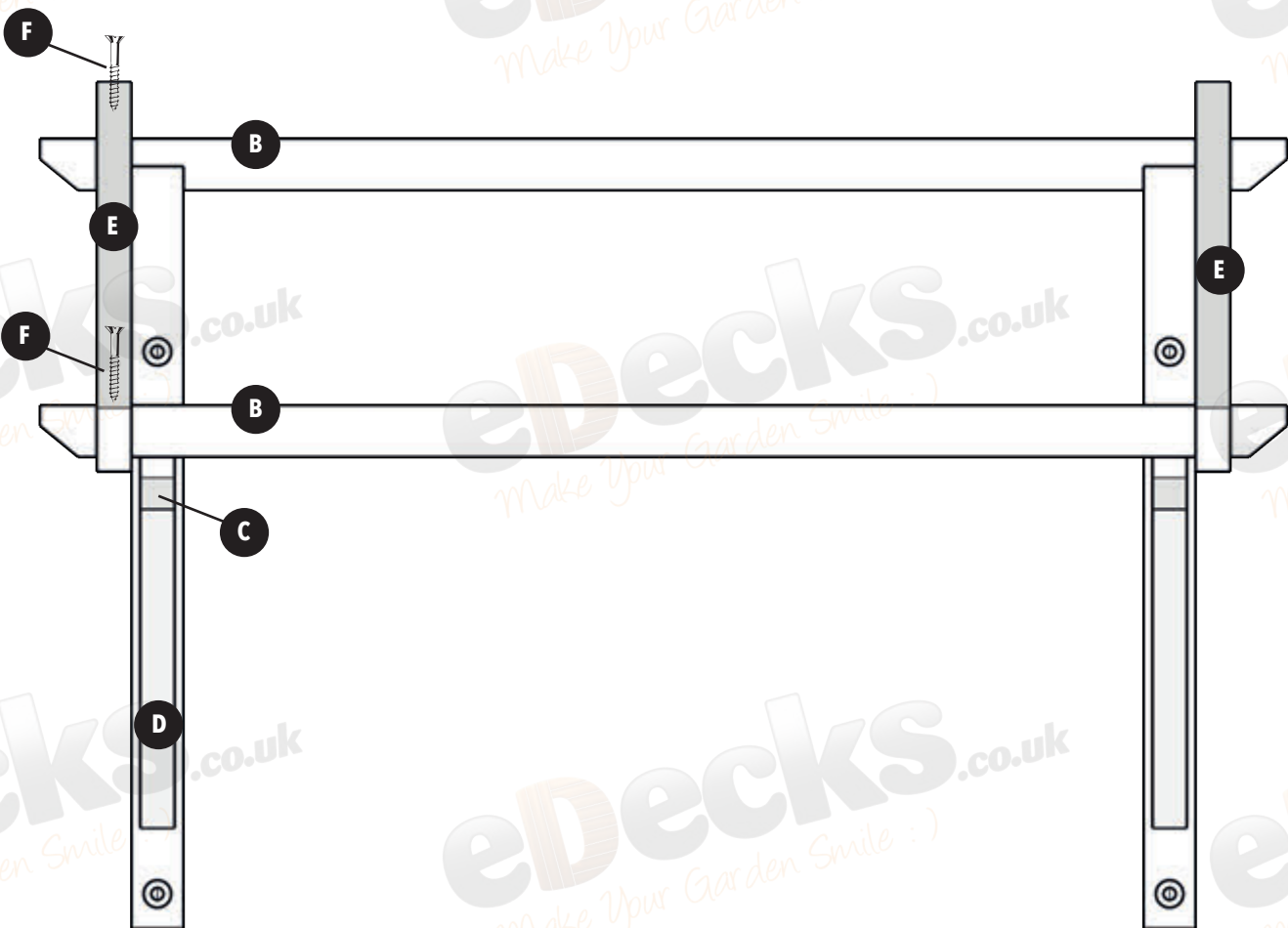


Step 5

Place one of the Angle Cut Top Rafters (E) tight to the outer side of the Wall Supports.

Drive one 100mm Wood Screw (F) down through the rafter and secure to the Horizontal Roof Supports.

Repeat this for the opposite side, tight to the outer side of the wall support.



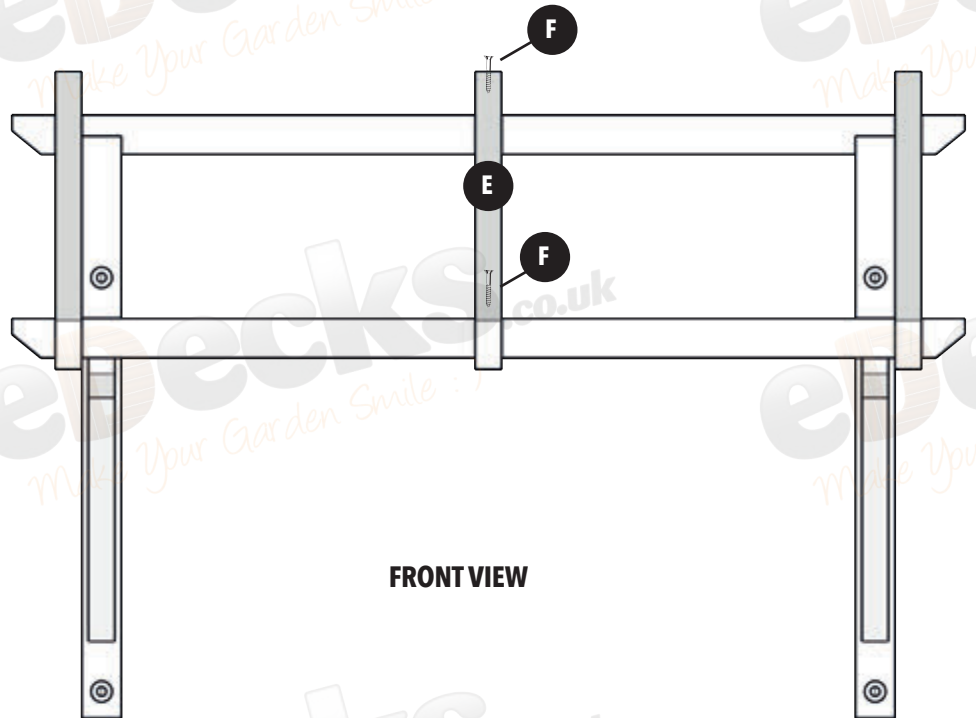
FRONT VIEW

Don't forget to check your work with a level as you go!



Step 6

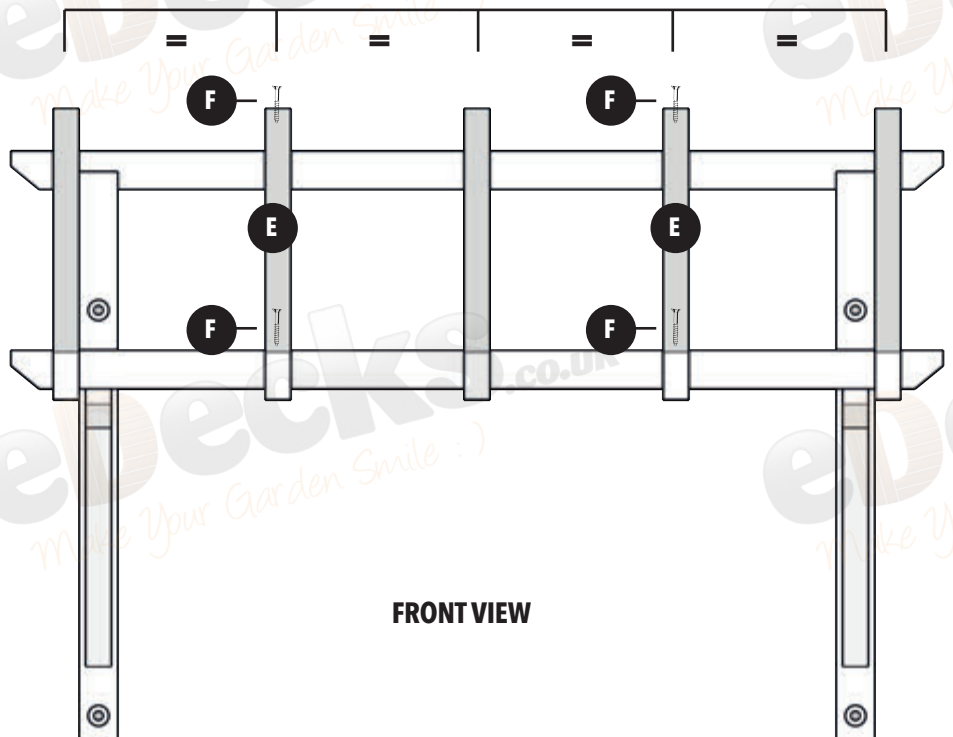
Fix one Angle Cut Top Rafter (E) central between the two Rafters secured at either end of the Canopy done in Step five using one 100mm Wood Screw (F) in to each Horizontal Roof Support (B).



FRONT VIEW

Step 7

Taking the last two Angle Cut Top Rafters (E), fix these central between each outer Top rafter and the Central Top Rafter using one 100mm Wood Screw (F) into each Horizontal Support Rafter.



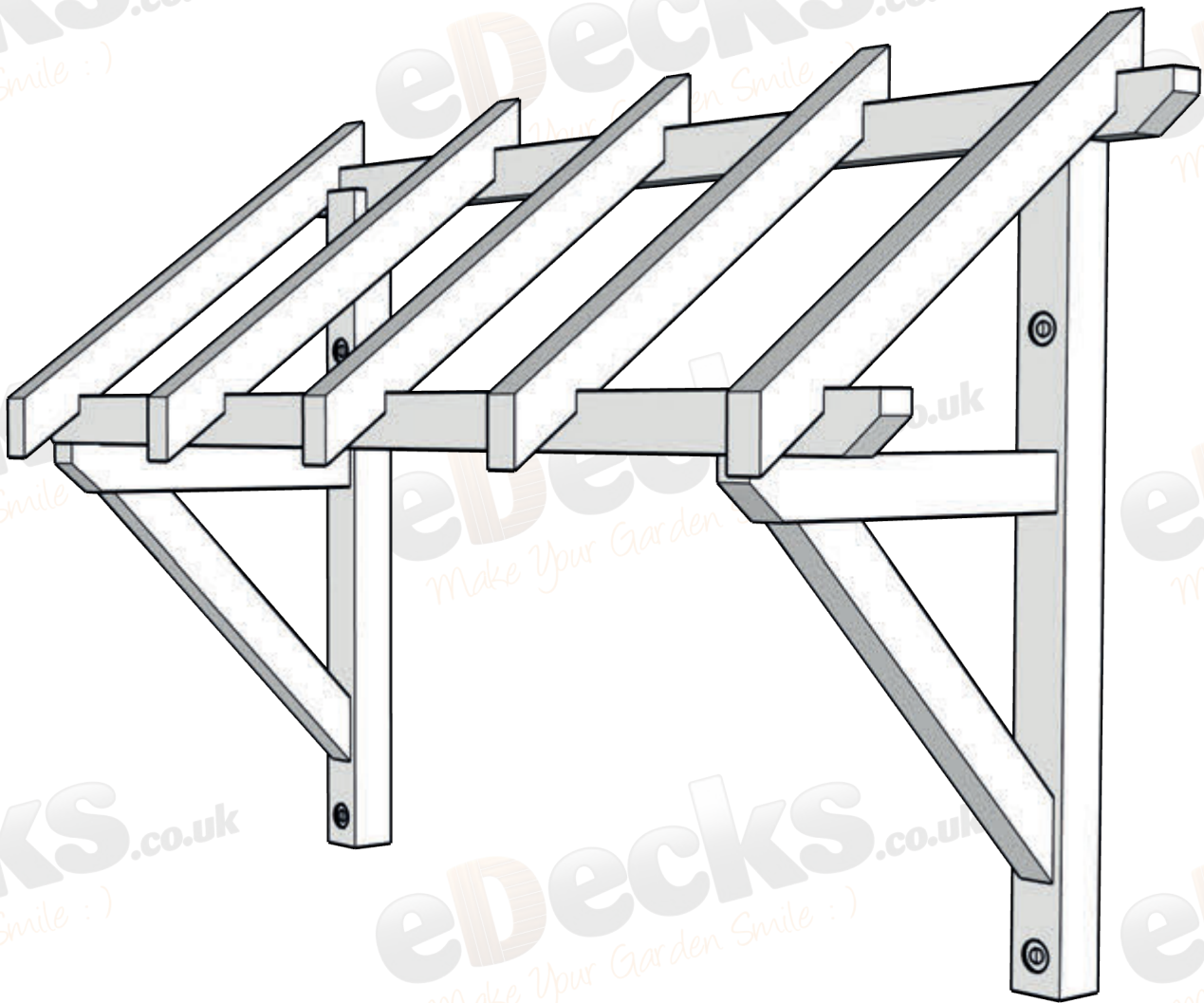
FRONT VIEW

Don't forget to check your work with a level as you go!

Porch Canopy Fitting Instructions



Finish



Enjoy your newly built Flat Roof Porch Canopy!

Page 7 of 7

All images are for illustration only, Please see individual item listings for actual item specifications