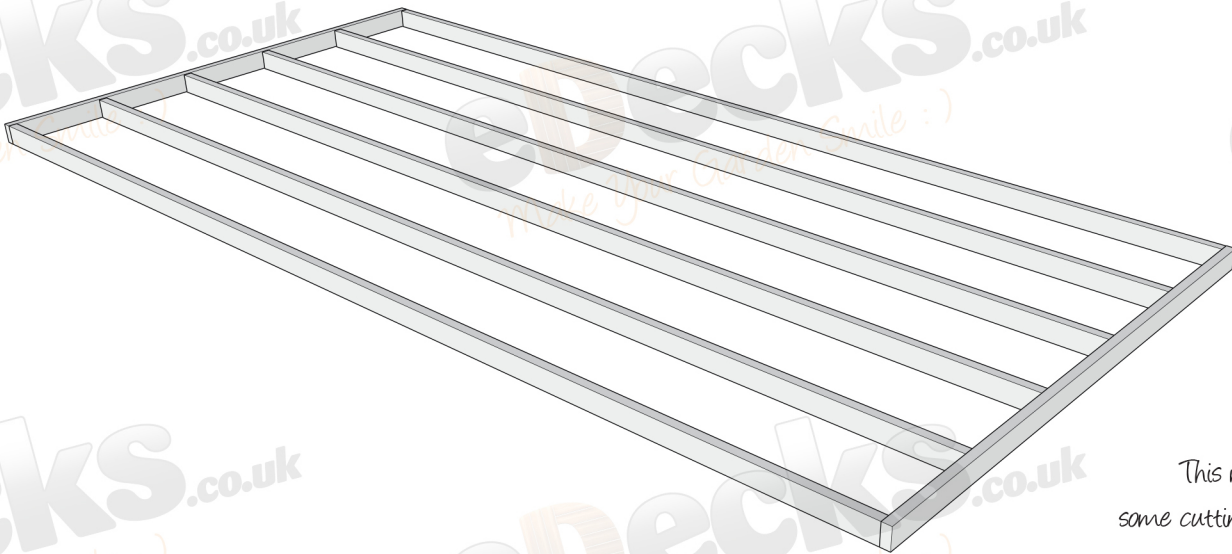


Step 1

LAY YOUR FRAME

This is an example of a decking frame

**FRAME TO BE LAID ONTO
PAVING SLABS, OR ONTO
GRASS OR SOIL**

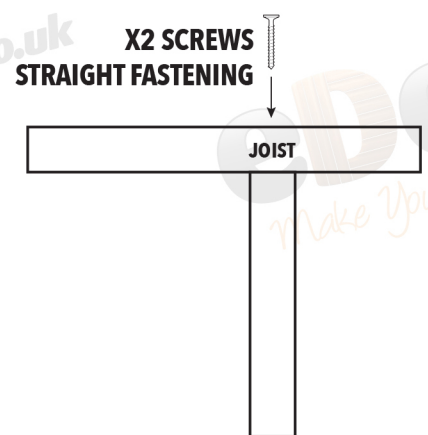
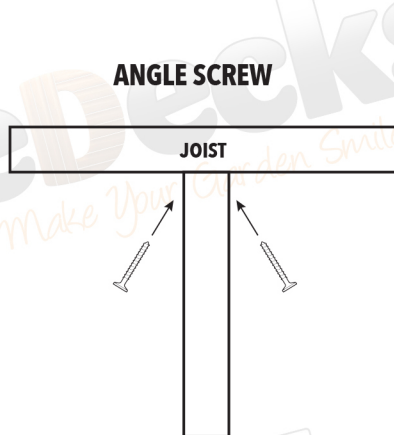
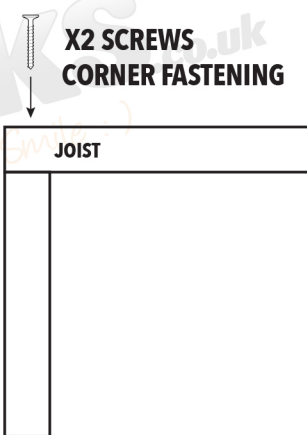


This may require some cutting to fit your size requirements

Using the decking joists provided in the kit build the perimeter first then evenly spread the remaining decking joists inside as shown in the example above.

Use the joist screws provided in your fixing kit to secure the timbers as per method below.

METHOD FOR SCREWING JOISTS



JOISTS TOP VIEW

Please make sure the frame fits the requirements for your chosen kit.

Don't forget to check your work with a level as you go!

King George Fitting Instructions



Step 2

FITTING THE PERGOLA POSTS

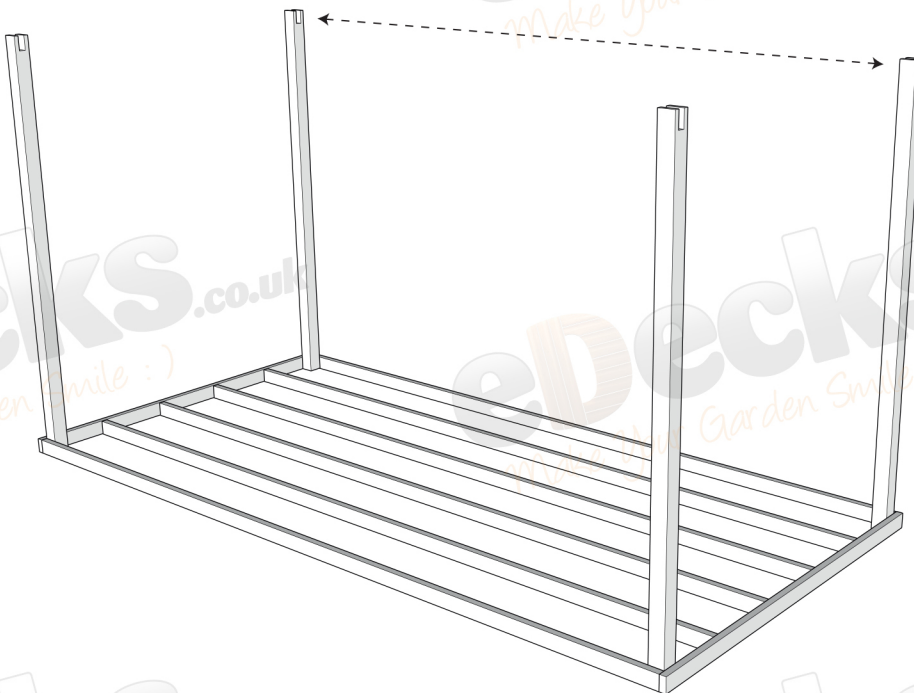
You are supplied with pergola posts. Accounting for the post sitting flush with the bottom of the base please select how high you would like the pergola posts, please cut accordingly.

Each Pergola Post needs securing in each corner. Install posts so your kit begins to look like the below...



FRONT

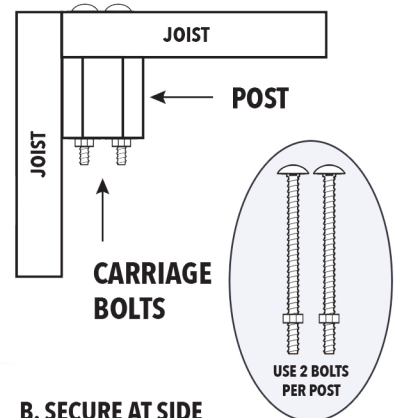
Please make sure your post notches line up



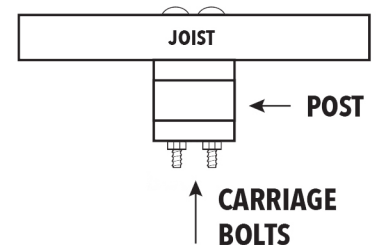
FRONT

Don't forget to check your work with a level as you go!

A. SECURE AT CORNER



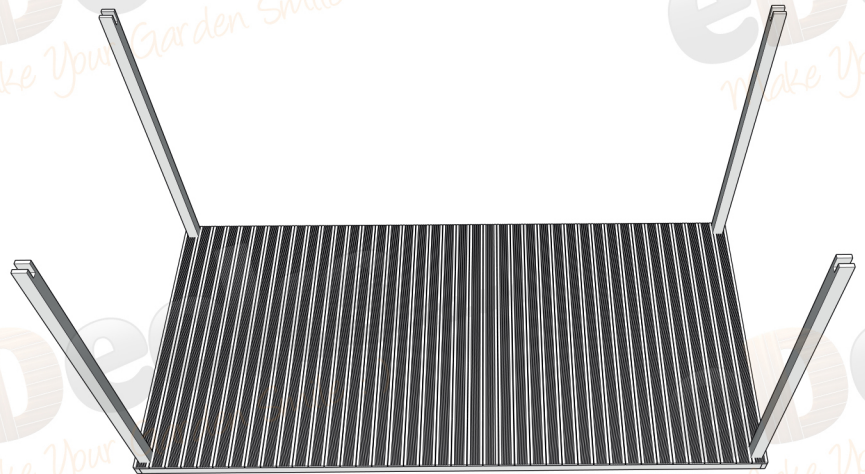
B. SECURE AT SIDE



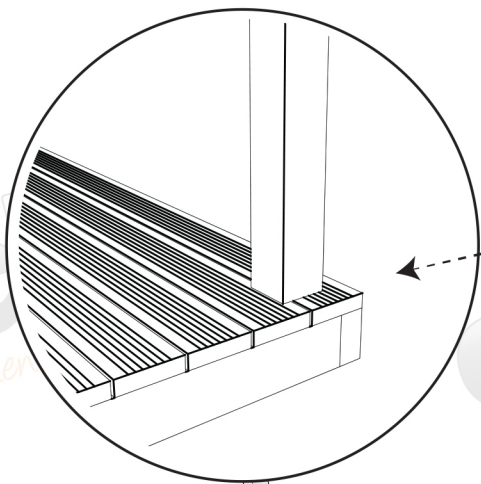
Step 3

INSTALL DECKING BOARDS

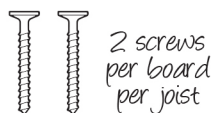
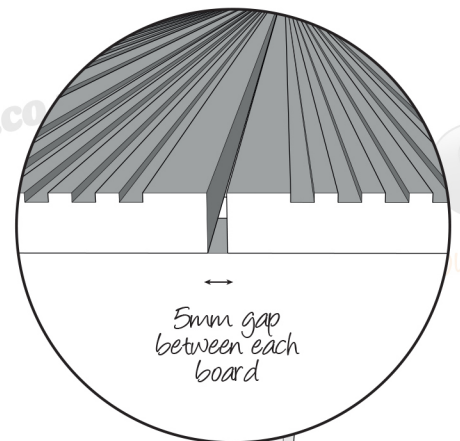
Decking boards should fit exactly to the frame, working in the opposite direction to the joist work, when laying the boards make sure you leave a 5mm gap between each board to allow room for expansion.



FRONT



Cutting will be required around the Posts



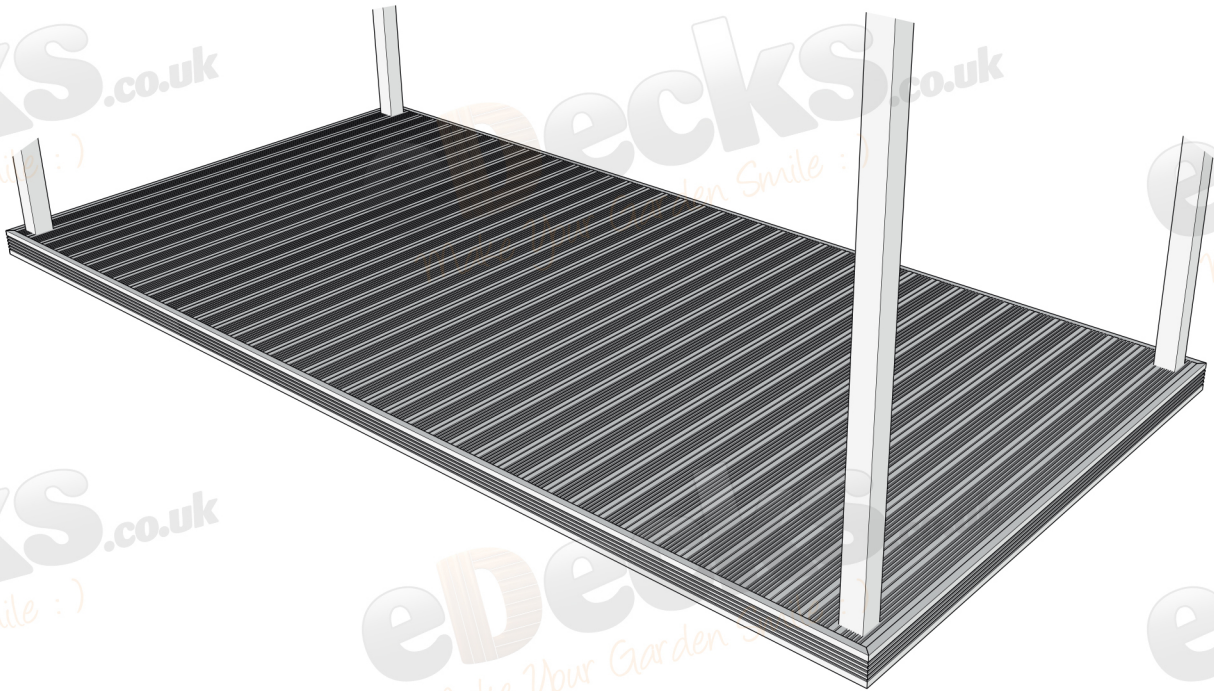
2 screws per board per joist

FRONT

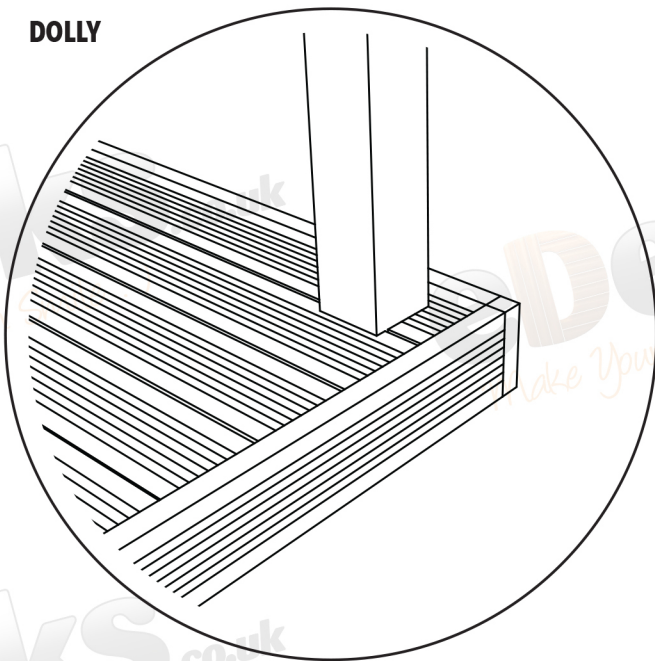
Don't forget to check your work with a level as you go!

Step 4

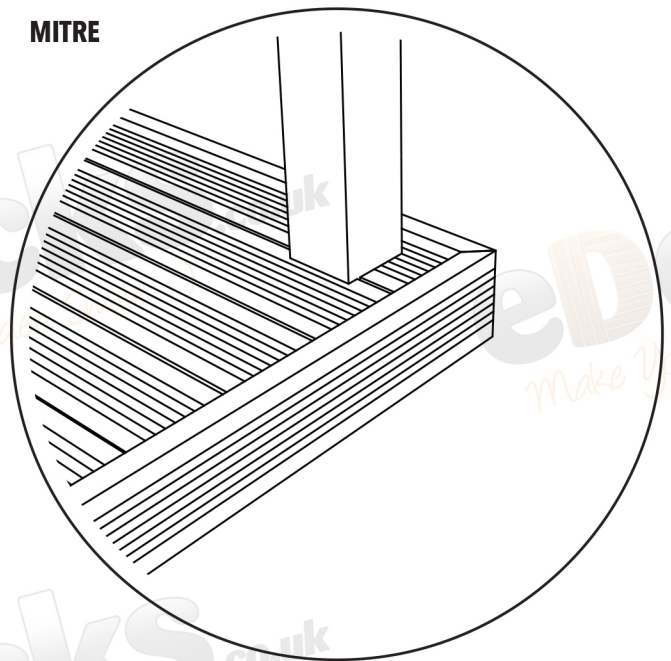
INSTALL FASCIA BOARDS



DOLLY



MITRE

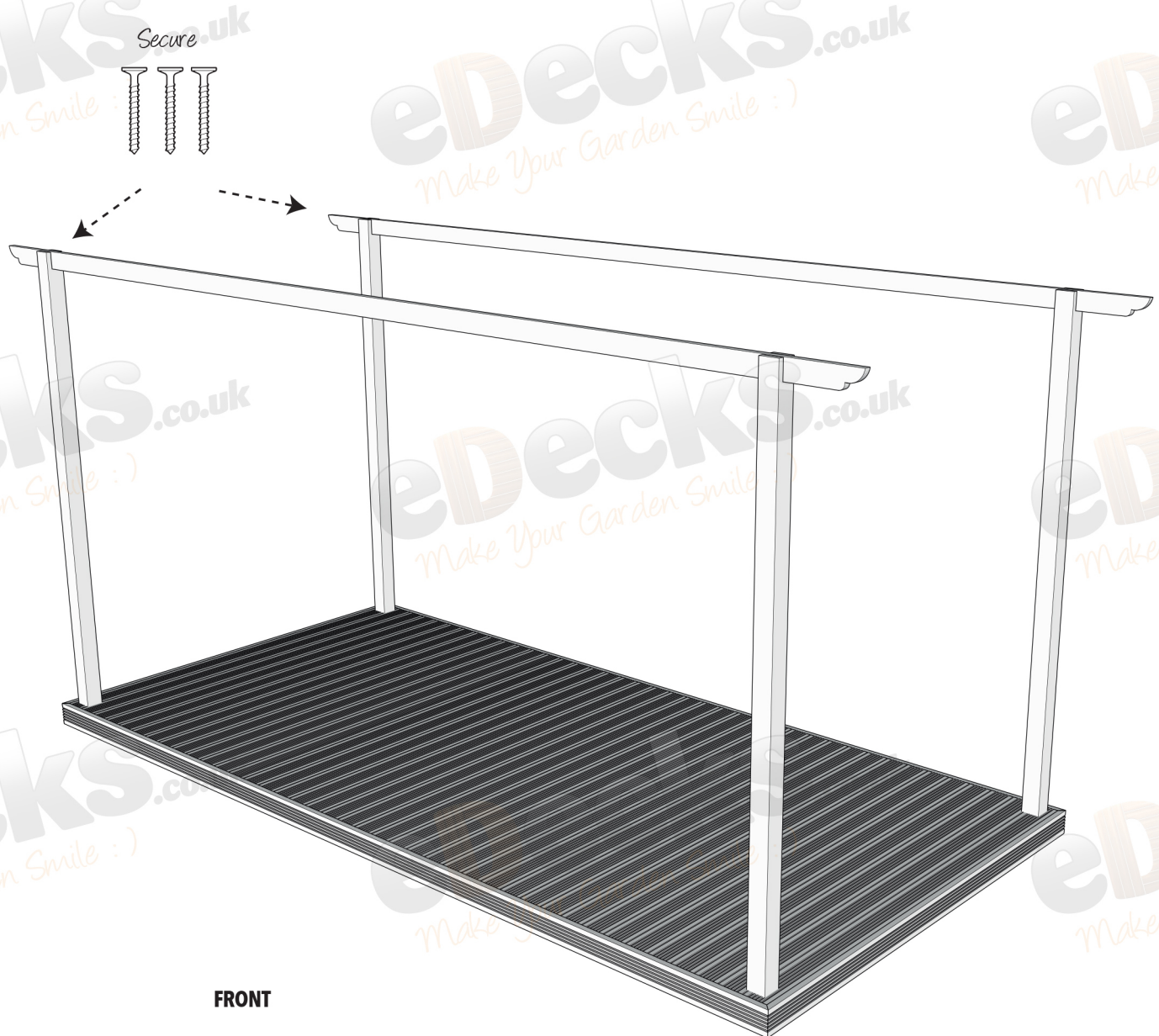


Don't forget to check your work with a level as you go!

Step 5

INSTALL SUPPORT RAFTERS

First secure the 2 supporting rafters to the posts.



Don't forget to check your work with a level as you go!

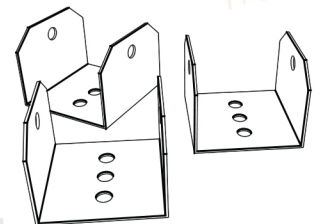
Step 6

INSTALL RAFTERS

Space the remainder of the rafters across the top of the support rafters.



Using the Pergola Clips provided with your kit to secure

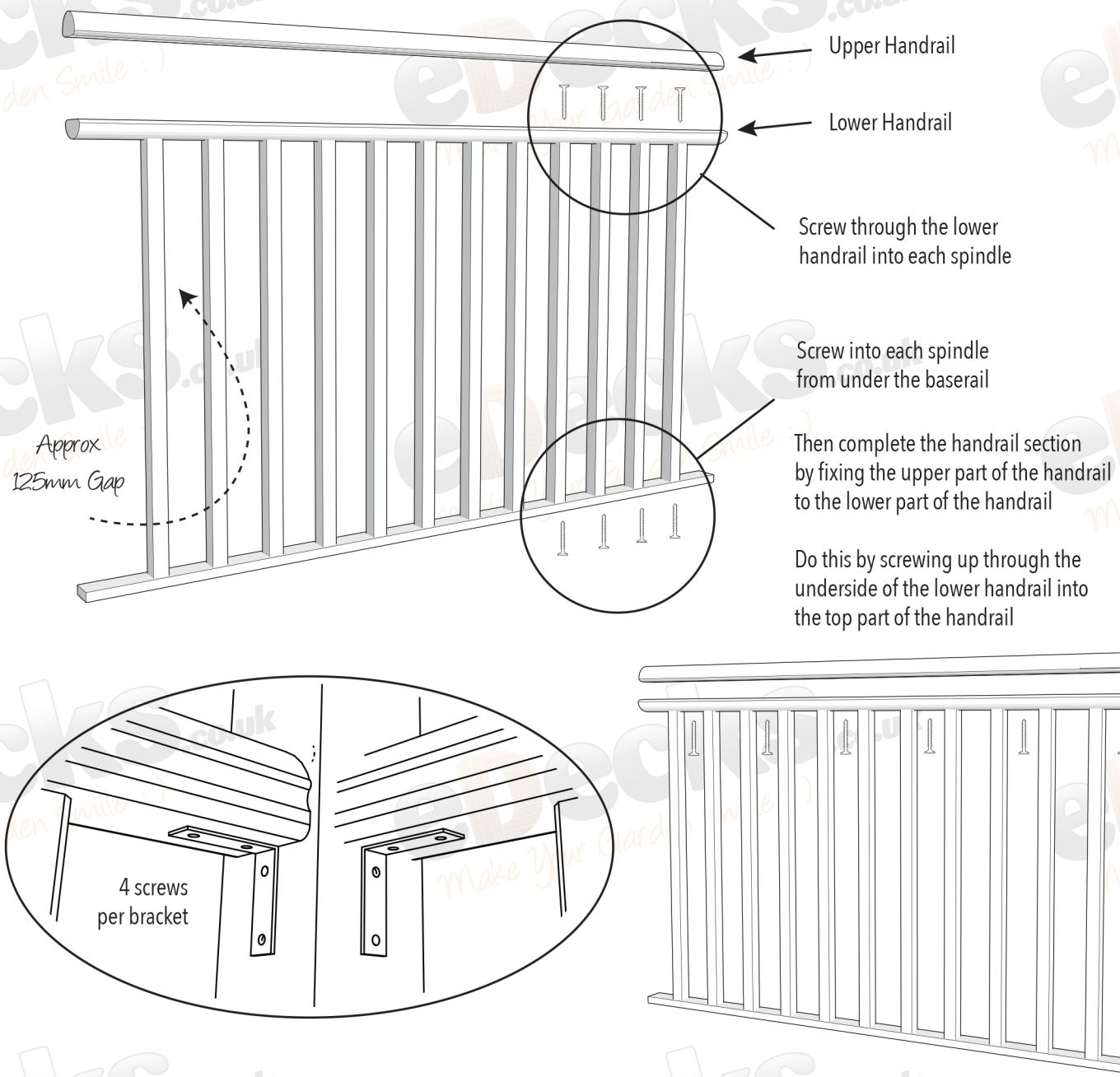


Don't forget to check your work with a level as you go!

Step 7

HANDRAIL SYSTEM

Pre-Building the spindles and handrails is the next step. Accurately measure between pergola posts and cut the hand and base rails accordingly, there should be a 125mm gap between each spindle.



Don't forget to check your work with a level as you go!



Step 8

FINISH!



Don't forget to check your work with a level as you go!

Page 8 of 8

All images are for illustration only, Please see individual item listings for actual item specifications