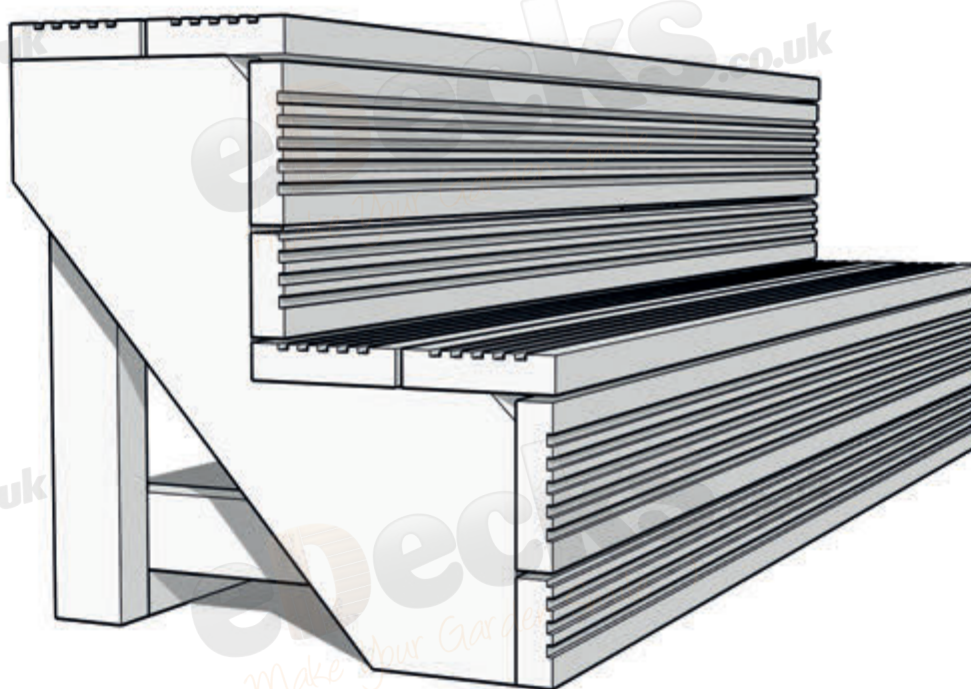




Kit Contents

- 2 X 2 STEP STRINGERS (A)
- 6 X 890MM LENGTHS OF STANDARD DECKING (B)
- 2 X 890MM LENGTHS OF RIPPED DOWN DECKING (C)
- 1 X 720MM LENGTH FLOOR SUPPORT (D)
- 2 X 440MM LENGTH UPRIGHT VERTICAL SUPPORT (E)
- 2 X 450MM LENGTH HORIZONTAL SUPPORT (F)
- 2 X 100MM SUPPORT BLOCK (G)
- 22 X 75MM SCREWS (H)
- 42 X 60MM SCREWS (I)



If you've ordered the anti slip version be sure to use the anti slip boards on the tread steps.

Don't forget to check your work with a level as you go!

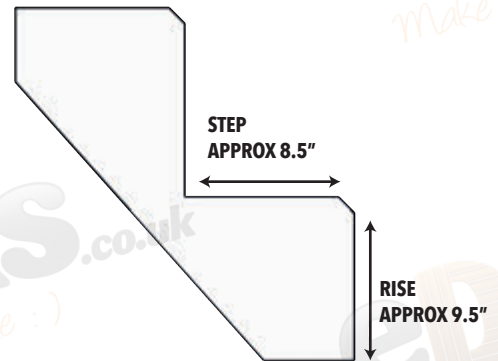
Hot Tub Step Fitting Instructions



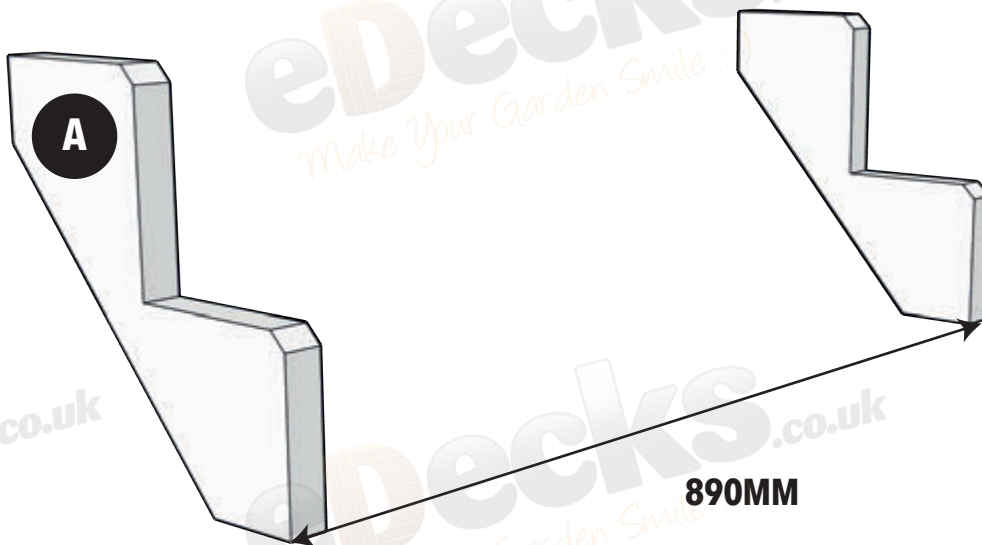
Step 1

First make sure the ground is flat and level, then measure and place your stringers. Place your stringers at 890mm apart, outside edge to outside edge

As shown on the diagram opposite the rise on the stringers should be 9.5" and the step should be 8.5", please make sure your stringers are the correct way up.



SIDE VIEW



If you've ordered the anti slip version be sure to use the anti slip boards on the tread steps.

Don't forget to check your work with a level as you go!

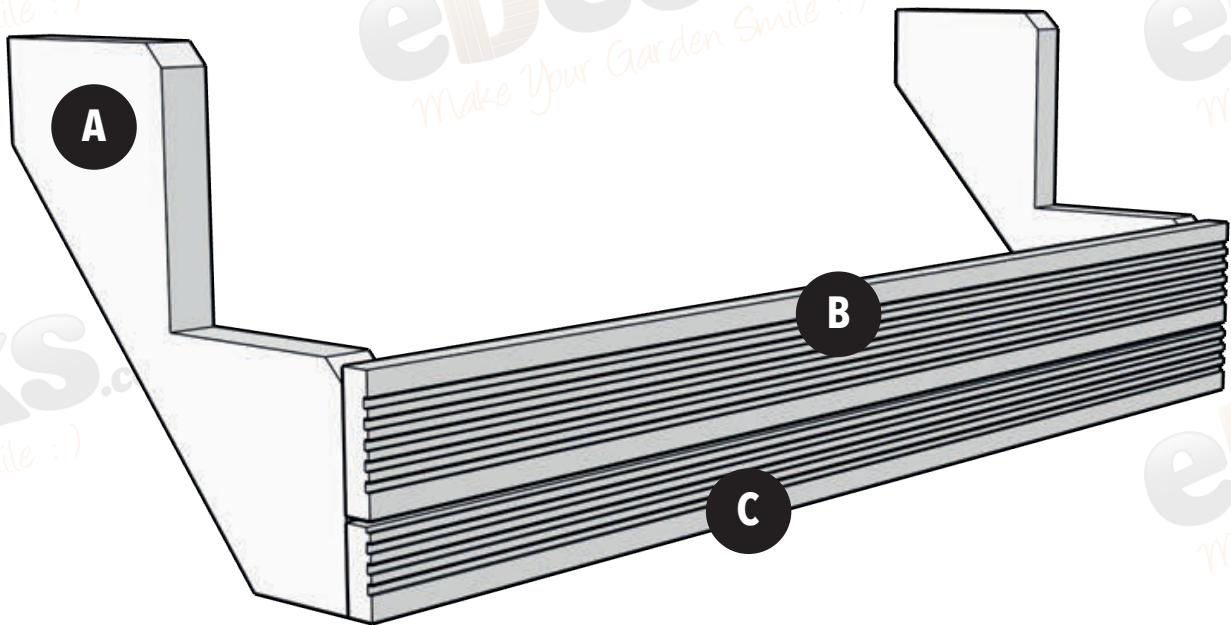
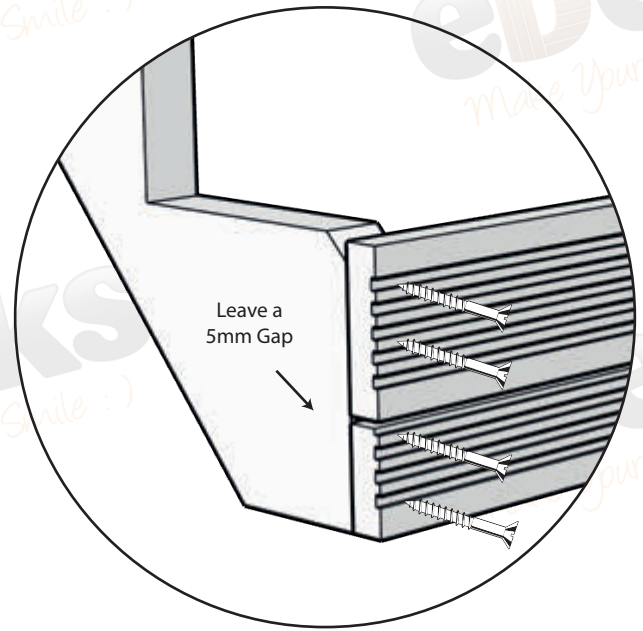
Hot Tub Step Fitting Instructions



Step 2

Start by securing the lowest board to the base of the stringers, use 4 60mm screws (I) - 2 at each end of the board to secure the board in place.

Once in position secure the ripped down board (C) in the same way, leaving a 5mm gap between the boards.



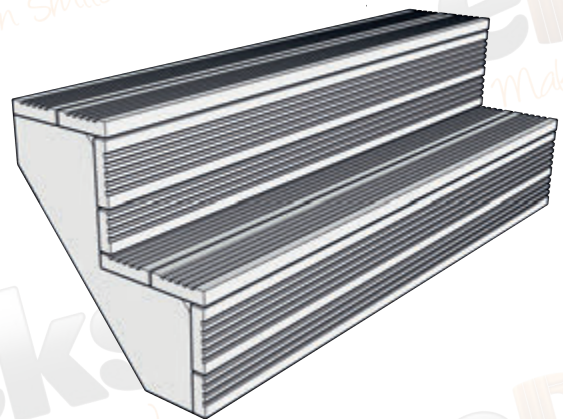
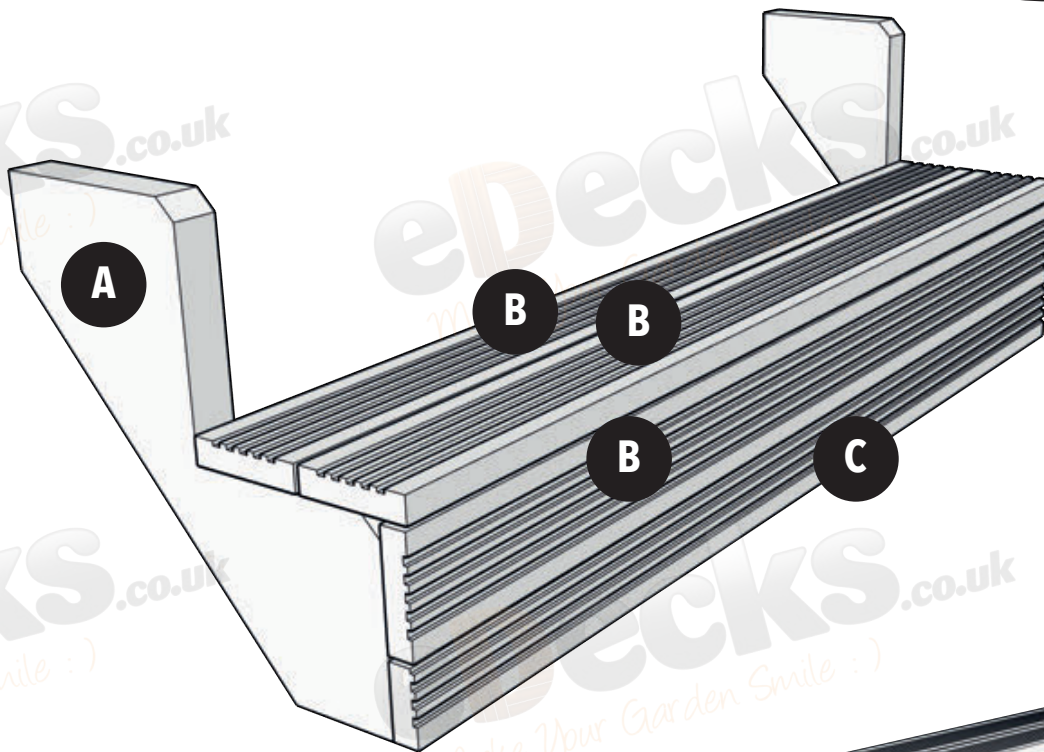
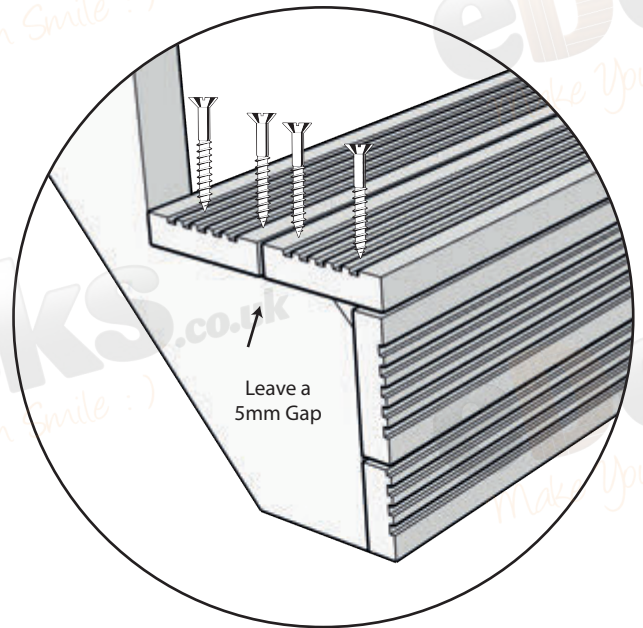
If you've ordered the anti slip version be sure to use the anti slip boards on the tread steps.

Don't forget to check your work with a level as you go!

Step 3

Next position and secure the lowest step boards, start at the front so that the deck board overhangs the stringer slightly and covers the edge of the ripped down board fitted in previous step, the edge of this board should be flush with the riser boards below, secure using 2 60mm screws (I) at each end.

Once in position place the second board behind the front board leaving a 5mm gap, don't worry if there is a small space where the board meets the corner of the stringer this will be covered by the riser boards in the next step.



Repeat the previous 2 steps for the second stringer step

If you've ordered the anti slip version be sure to use the anti slip boards on the tread steps.

Don't forget to check your work with a level as you go!

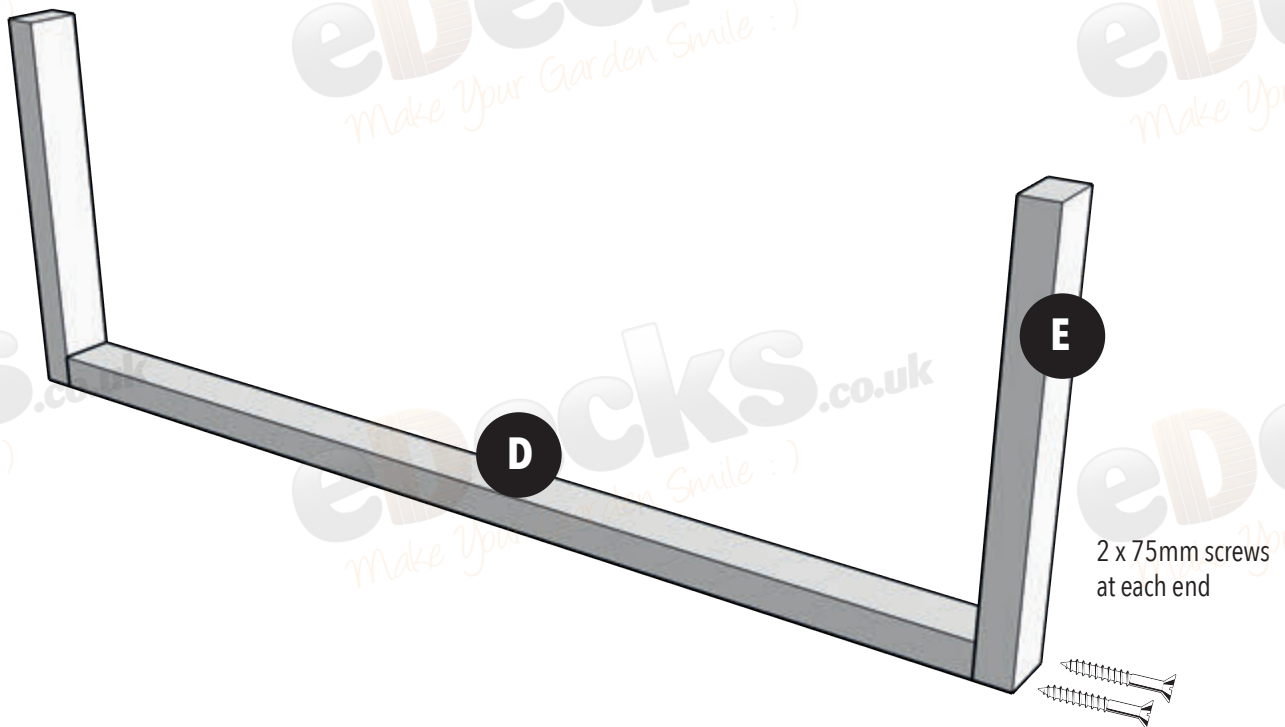
Hot Tub Step Fitting Instructions



Step 4

Lay the 720mm floor support (D) horizontally on the floor.

Attach the 2 upright vertical supports (E) and secure into each end of the floor support with 2 x 75mm screws (H) at each end.



Don't forget to check your work with a level as you go!

Page 5 of 9

All images are for illustration only, Please see individual item listings for actual item specifications

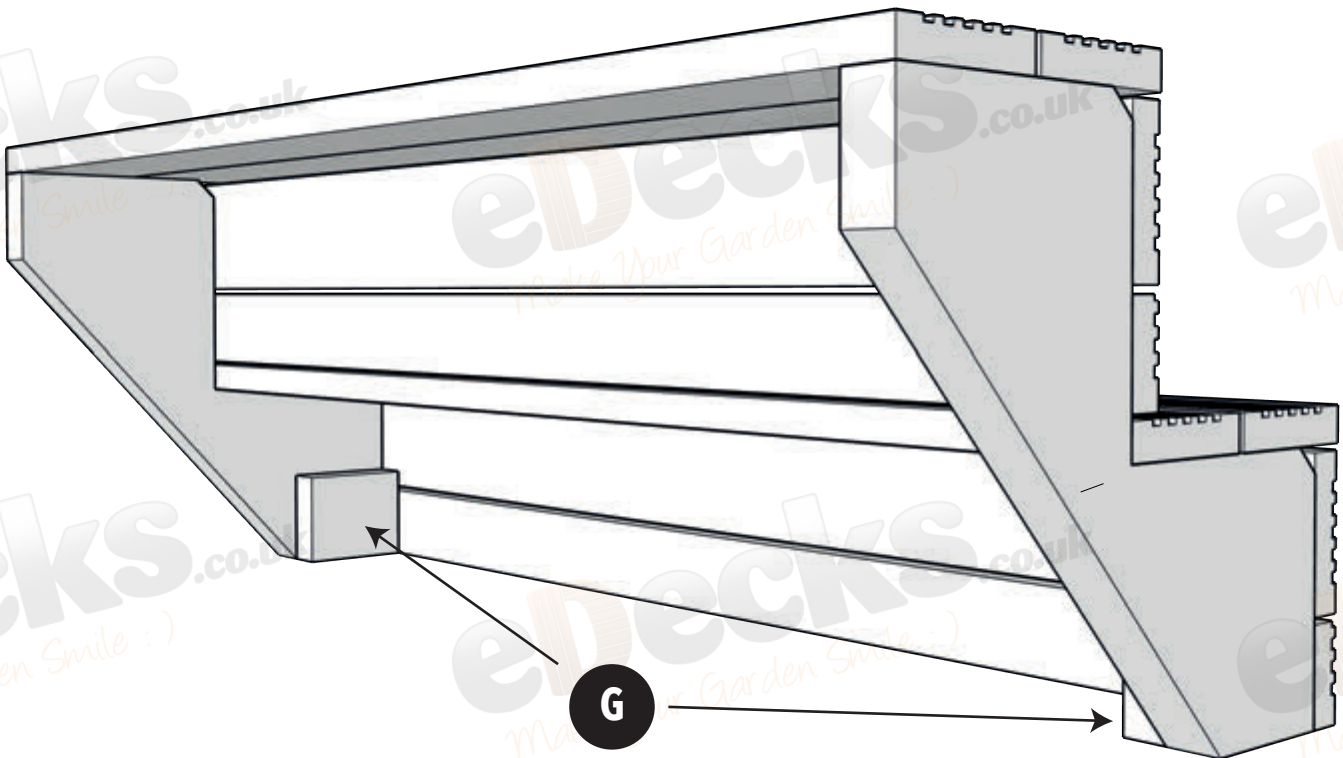
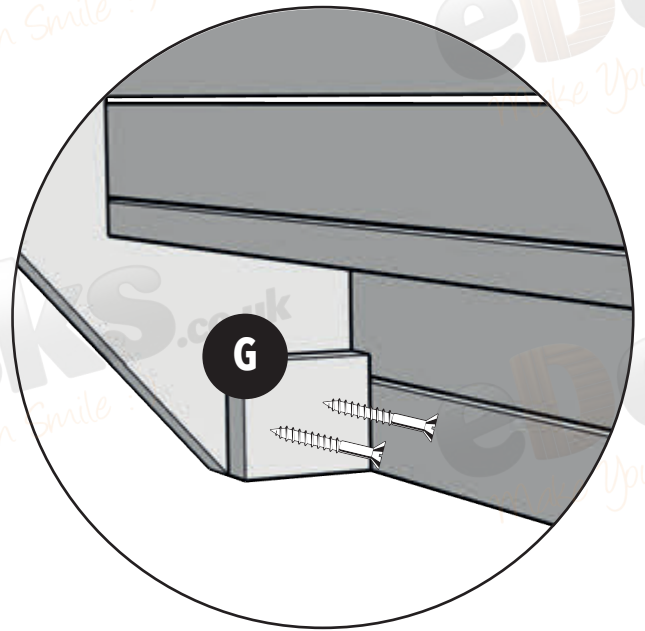
Hot Tub Step Fitting Instructions



Step 5

On the inside of the assembled stair stringer attach the 100mm support block (G) flush with the bottom of each step stringer. Drive 2 x 75mm screws (H) to secure.

Please note, Step 7 will involve driving another 2 screws into this same support



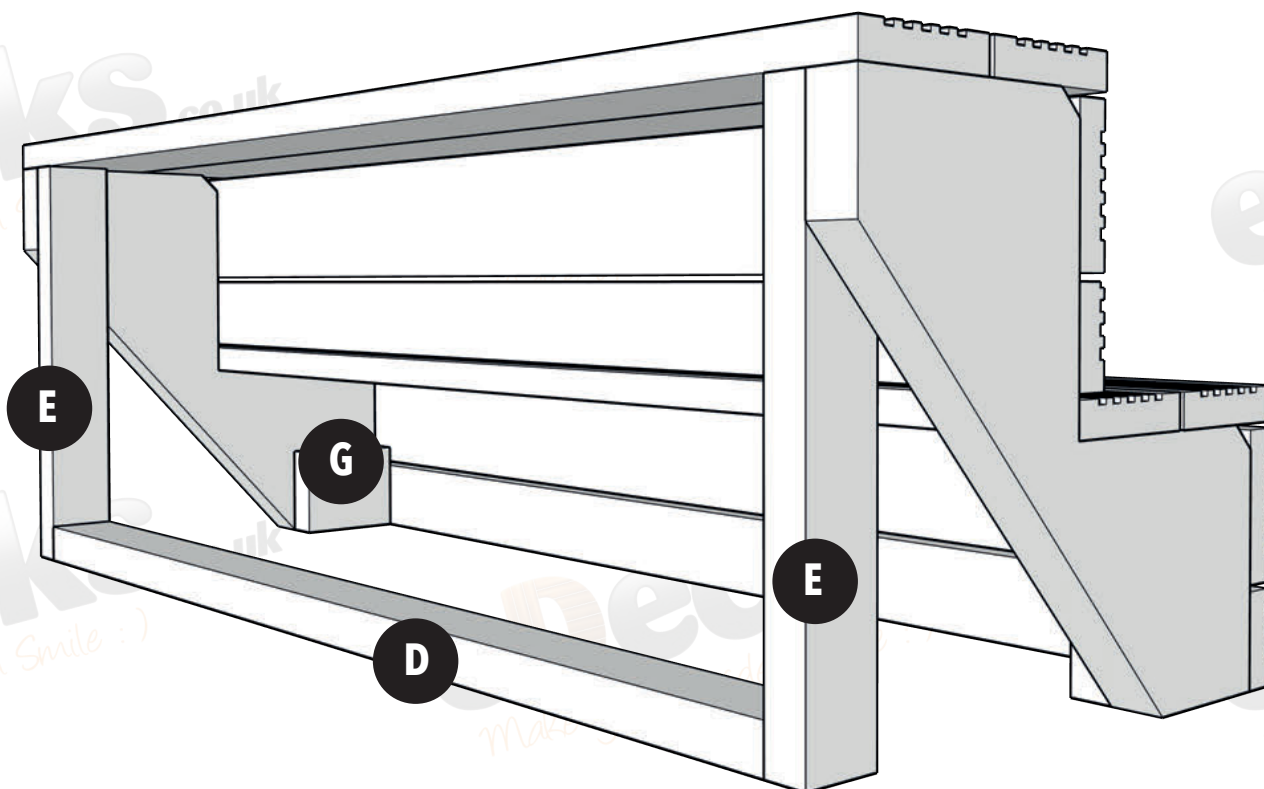
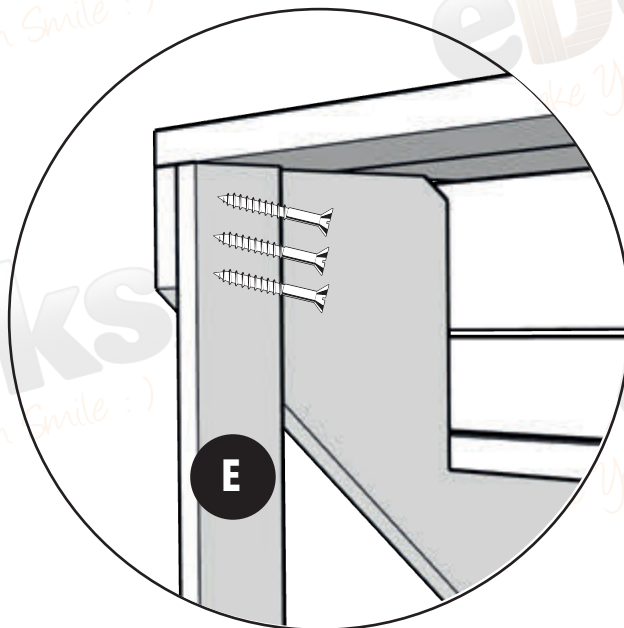
Don't forget to check your work with a level as you go!

Hot Tub Step Fitting Instructions



Step 6

Take the framing that you assembled in step 5 and align the upright vertical supports (E) flush with the end of the top of the step stringers. Secure by driving 3 x 75mm Screws (H)



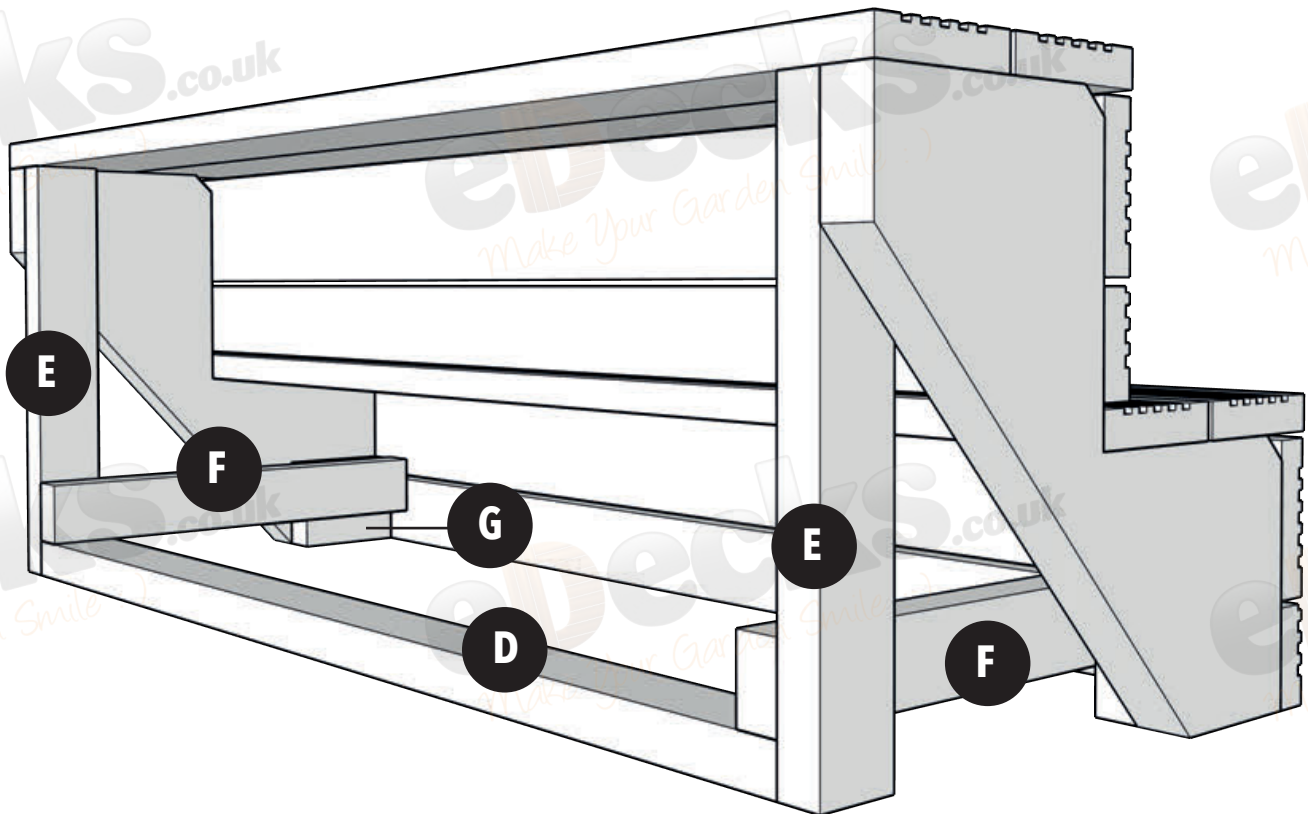
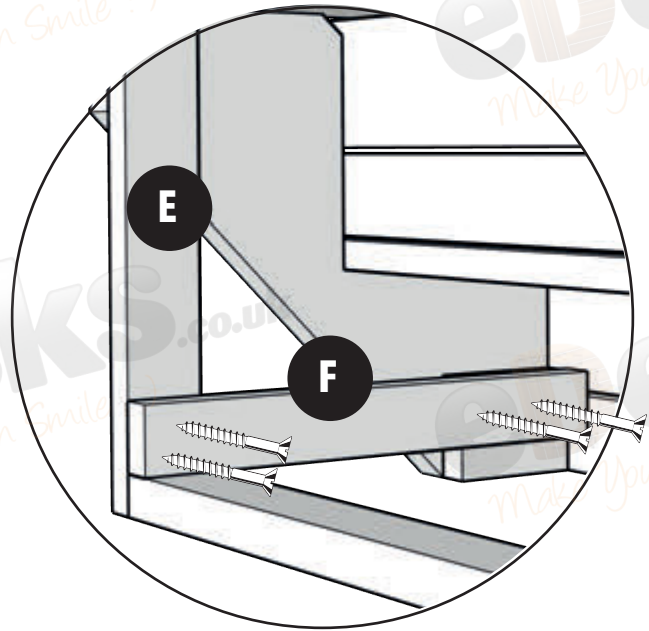
Don't forget to check your work with a level as you go!

Step 7

Position the 460mm length horizontal supports (F) on top of the floor support (D) and against the support block (G) installed in step 6.

The horizontal support (F) should be 50mm above the ground when you attach it to the support block (G)

Secure with 2 x 75mm screws into the support block (G) and 2 x 75mm screws into the upright vertical support (E)

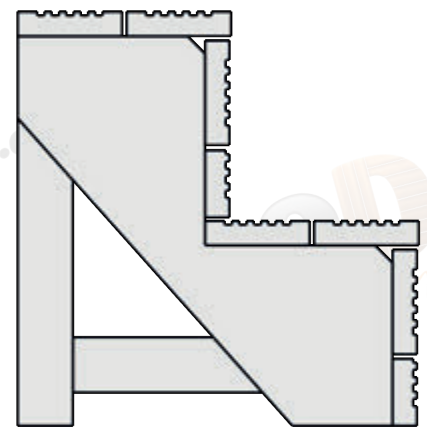
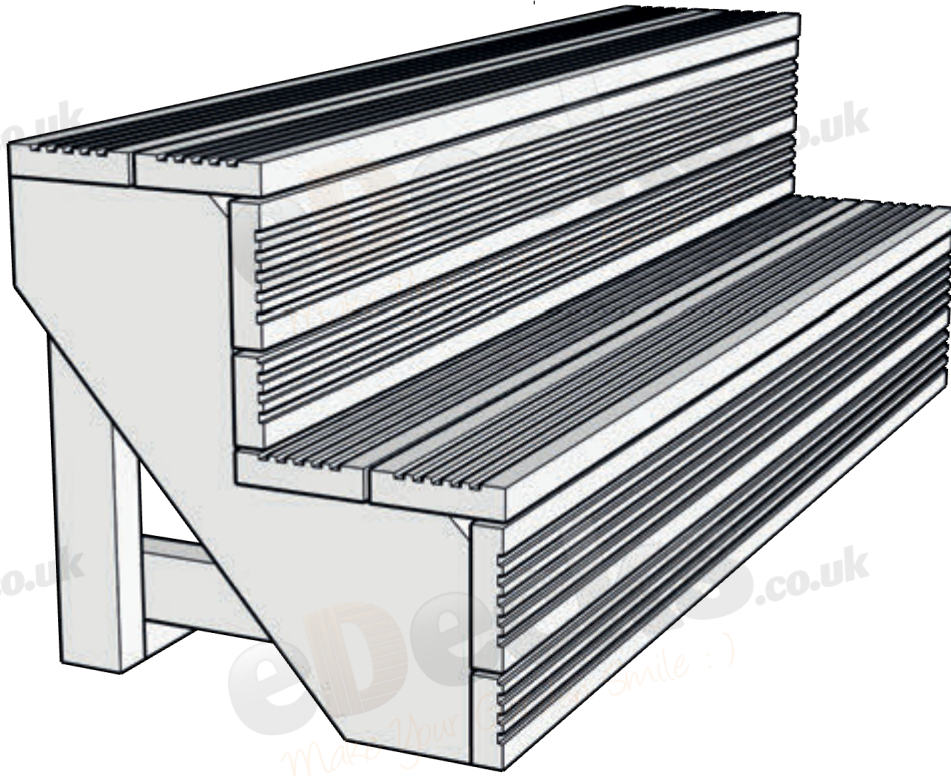


Don't forget to check your work with a level as you go!

Hot Tub Step Fitting Instructions



Finish!



Enjoy your newly built hot tub steps!