

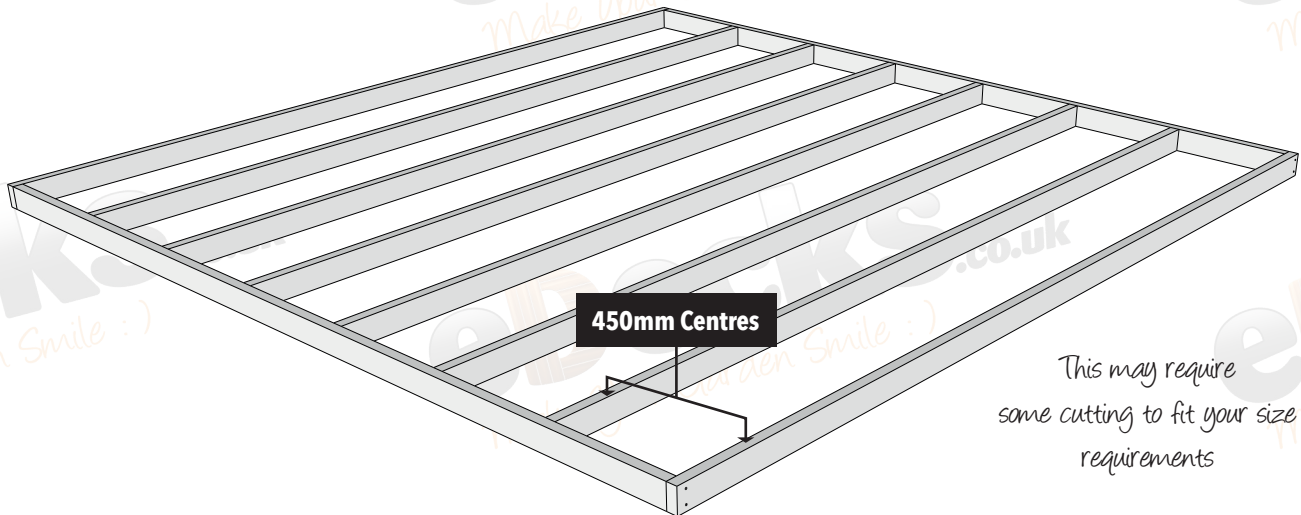


Step 1

LAY YOUR FRAME

This is an example of a decking frame

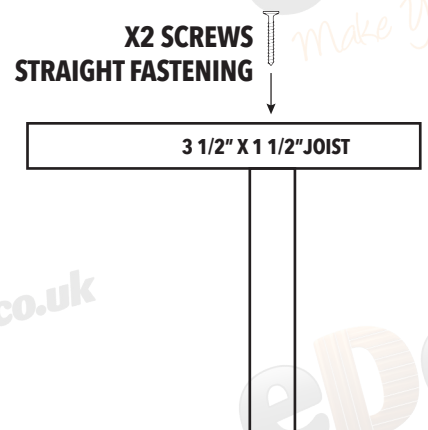
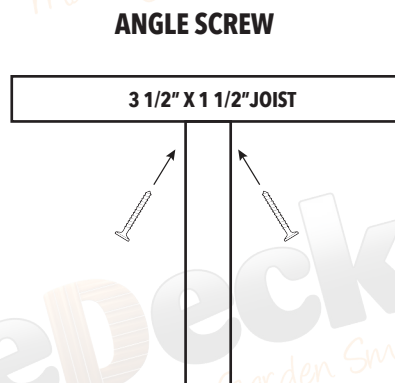
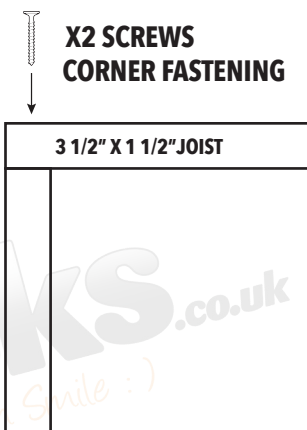
FRAME TO BE LAID ONTO PAVING SLABS, OR ONTO GRASS OR SOIL



Using the decking joists provided in the Kit (3 1/2" x 1 1/2") build the perimeter first then evenly spread the remaining decking joists inside as shown in the example above, using the 4" x 10g joist screws from the fixing kit.

PLEASE NOTE you may also require Membrane, Fascias, Corner Dolly's, Stain & Additional Joists to strengthen (not provided in kit)

METHOD FOR SCREWING JOISTS



JOISTS TOP VIEW

Please make sure the frame fits the requirements for your chosen kit.

Don't forget to check your work with a level as you go!



Step 2

FITTING THE NEWELS (IF INCLUDED)

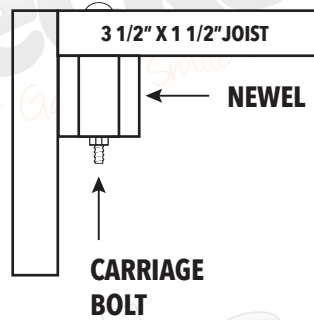
If your kit includes handrails please follow the instructions on this page, else please proceed to next step.

Each newel needs securing in each corner (**fig A**) and depending on your kit size might also need securing on the side (**fig B**) do so using the Carriage Bolts.

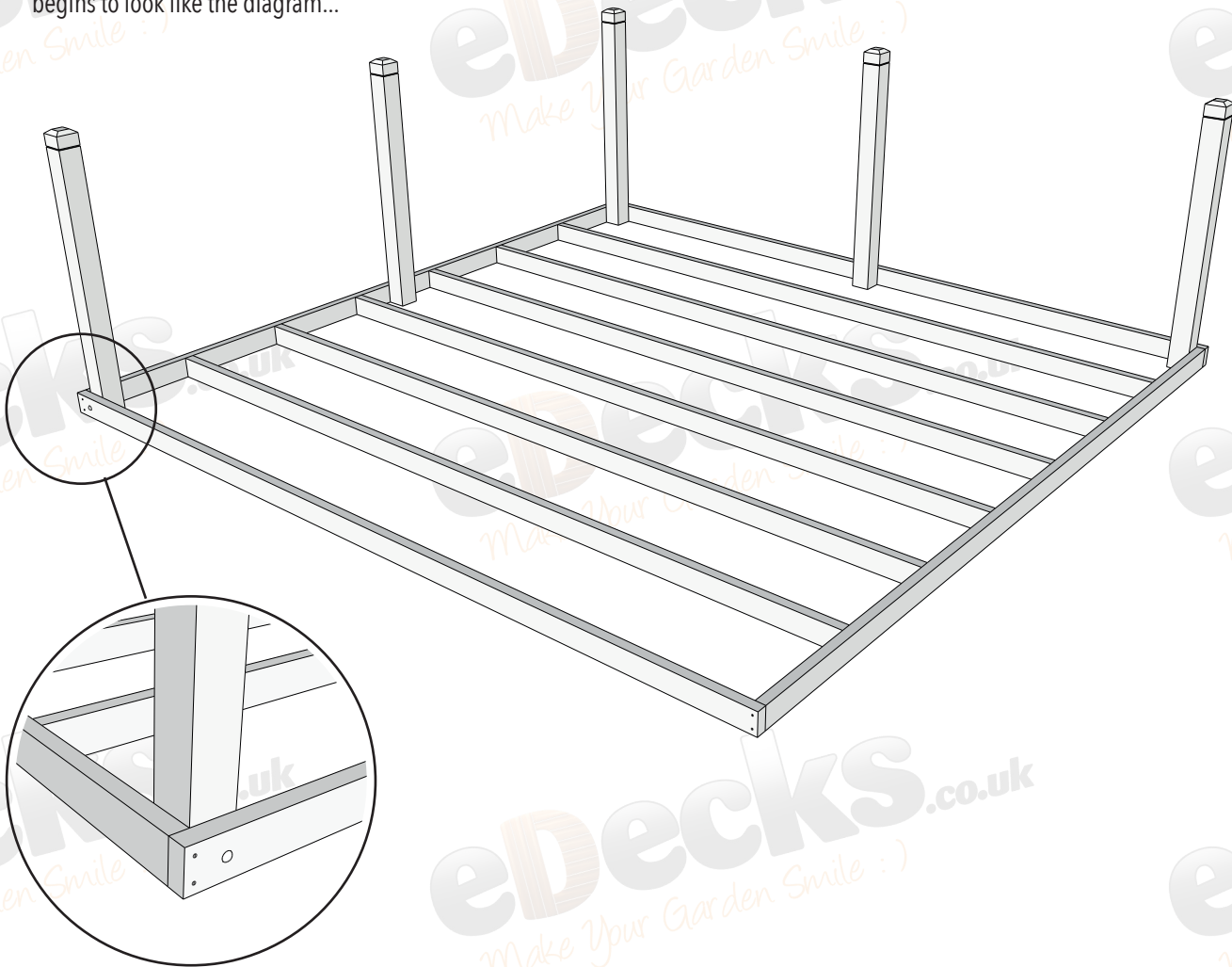
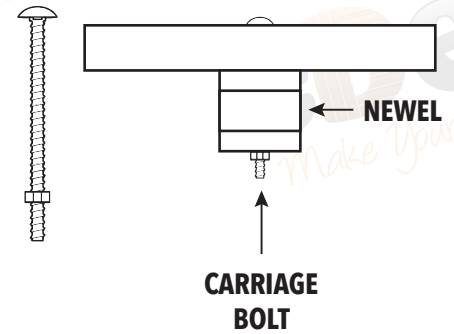
Install all the newels so your kit begins to look like the diagram...

JOISTS TOP VIEW

A. SECURE AT CORNER



B. SECURE AT SIDE



Don't forget to check your work with a level as you go!

Page 2 of 7

All images are for illustration only, Please see individual item listings for actual item specifications

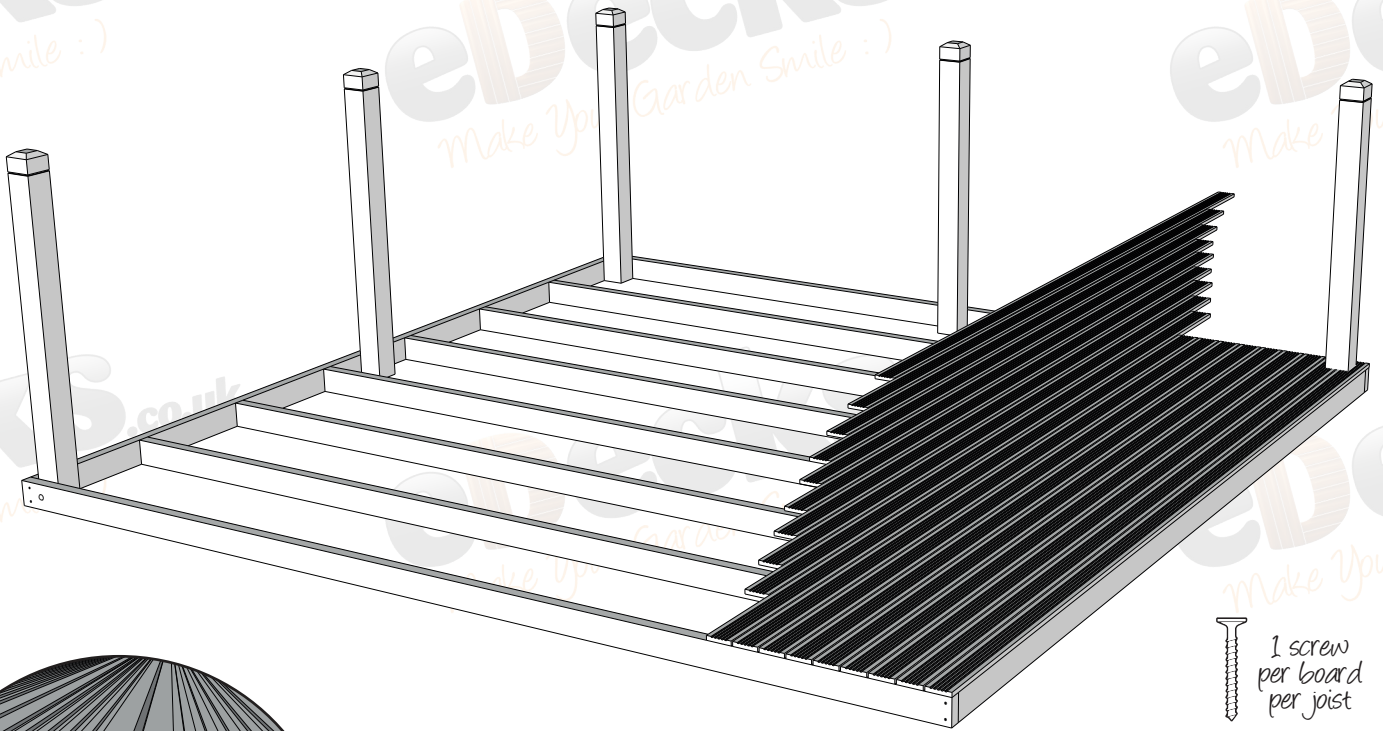
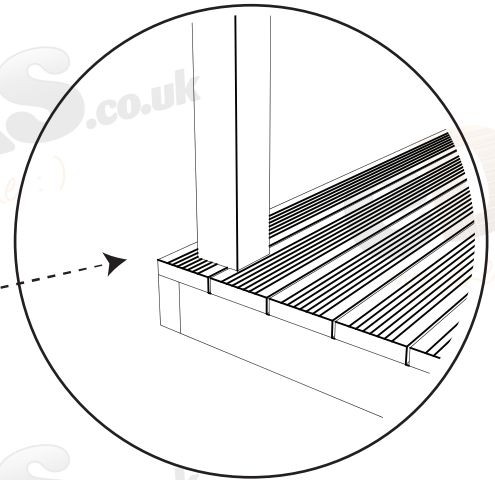


Step 3

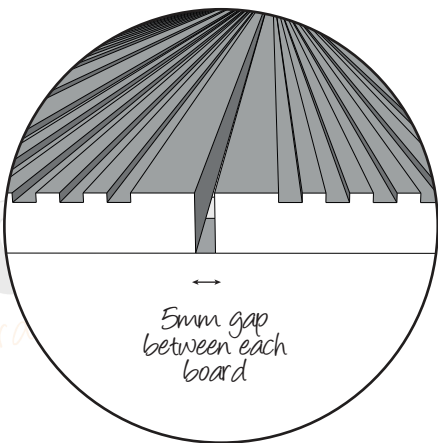
INSTALL DECKING BOARDS

Decking boards should fit exactly to the frame, working in the opposite direction to the joist work, when laying the boards make sure you leave a 5mm gap between each board

Cutting will be required around the Newels if applicable



1 screw per board per joist



5mm gap between each board

Don't forget to check your work with a level as you go!

Page 3 of 7

All images are for illustration only, Please see individual item listings for actual item specifications



Step 3 cont'd

INSTALL DECKING BOARDS



Don't forget to check your work with a level as you go!

Page 4 of 7

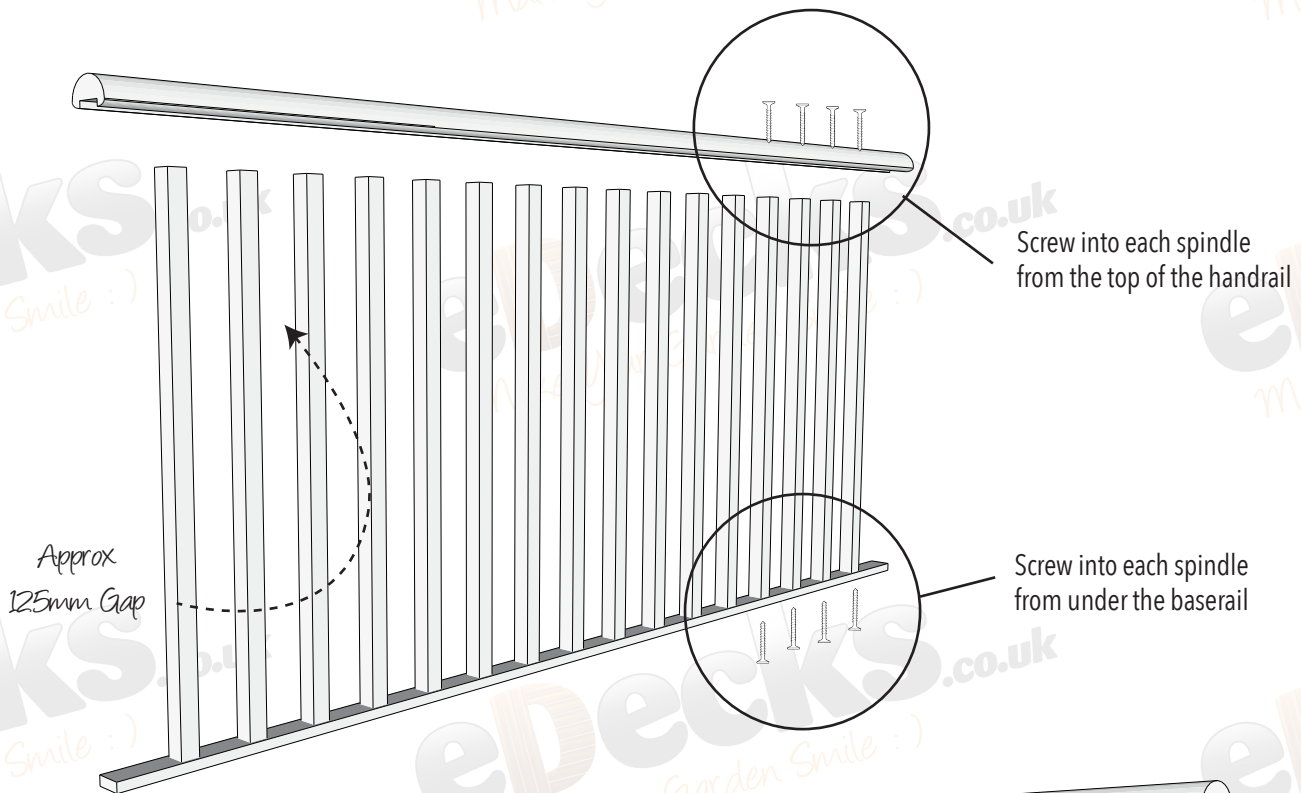
All images are for illustration only, Please see individual item listings for actual item specifications



Step 4

HANDRAIL SYSTEM

If your kit option has handrails please assemble these prior to attaching to the newels
To fix the spindles you should screw into each spindle from under the baserail and through the top of the handrail, space the spindles so they are evenly spaced with approx 125mm gap between each.



You may use wood filler and stain to hide the imperfections left by the screws



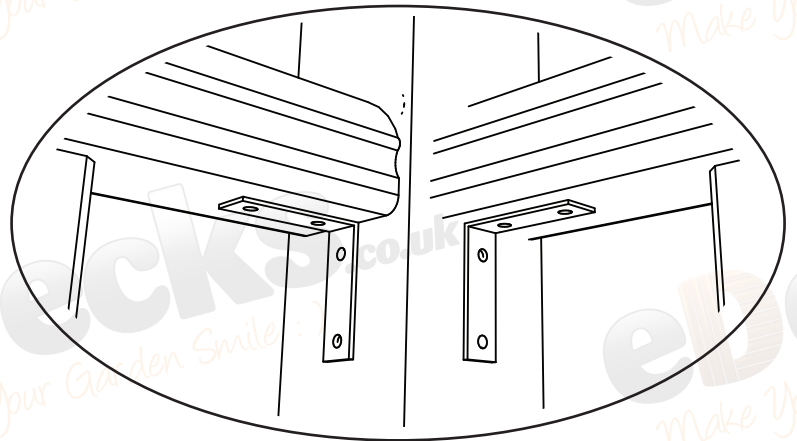
Don't forget to check your work with a level as you go!

Page 5 of 7

Step 4 cont'd

HANDRAIL SYSTEM

Once your handrail sections are complete - using the angle brackets included, please proceed to install to the handrail sections to your kit.



Once this is complete - Sit back and enjoy!

Page 6 of 7

All images are for illustration only, Please see individual item listings for actual item specifications

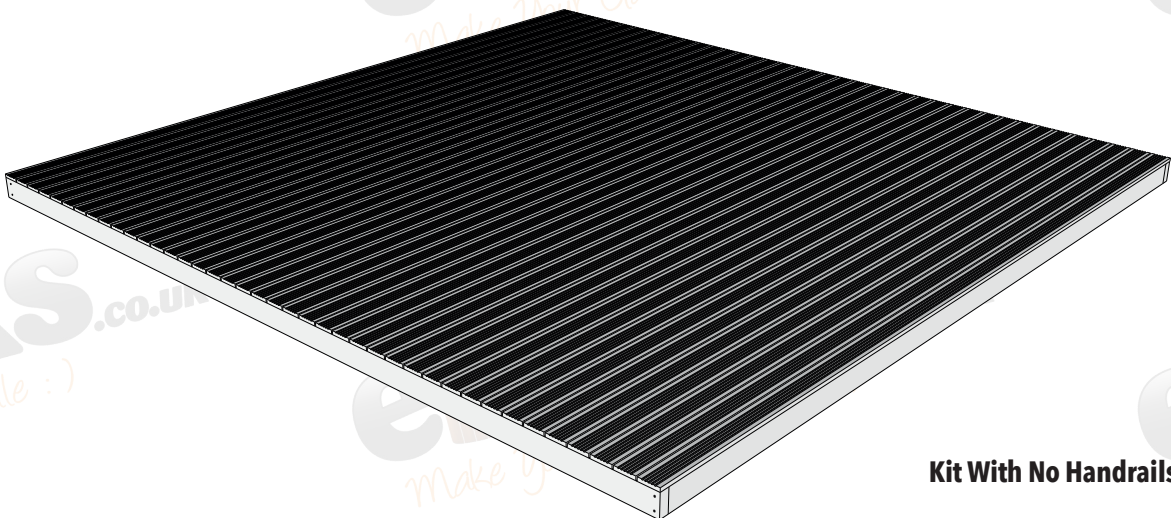


Step 5

FINISH!



Kit With Handrails



Kit With No Handrails

Once this is complete - Sit back and enjoy!