

Composite Decking Installation Guide

SUITABLE FOR ALL OUR COMPOSITE DECKING RANGES

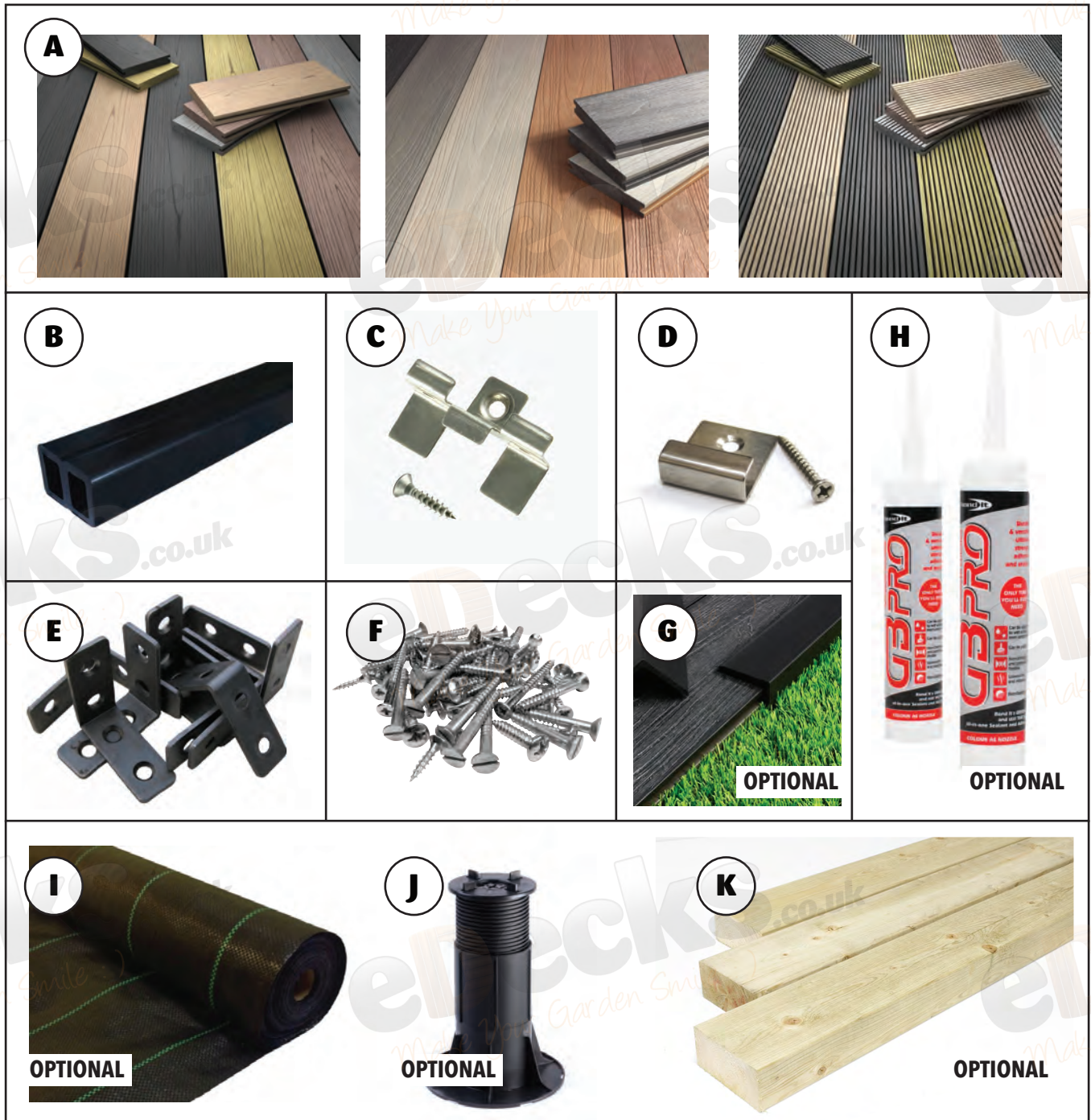


Start COMPONENTS

- A. Composite Decking
- B. Composite Joists
- C. Stainless Steel Fixing Clips
- D. Stainless Steel Starter Clips
- E. 50mm Angle Brackets
- F. Screws

Optional

- G. Composite Decking Edging Trim
- H. Adhesive
- I. Weed Membrane
- J. Decking Pedestals / Risers
- K. Treated & Graded Decking Joists (4" x 2")



PLEASE NOTE. IF THESE FITTING INSTRUCTIONS ARE NOT ADHERED TO IT MAY VOID YOUR WARRANTY

All images are for illustration only, Please see individual item listings for actual item specifications

Composite Decking Installation Guide

SUITABLE FOR ALL OUR COMPOSITE DECKING RANGES

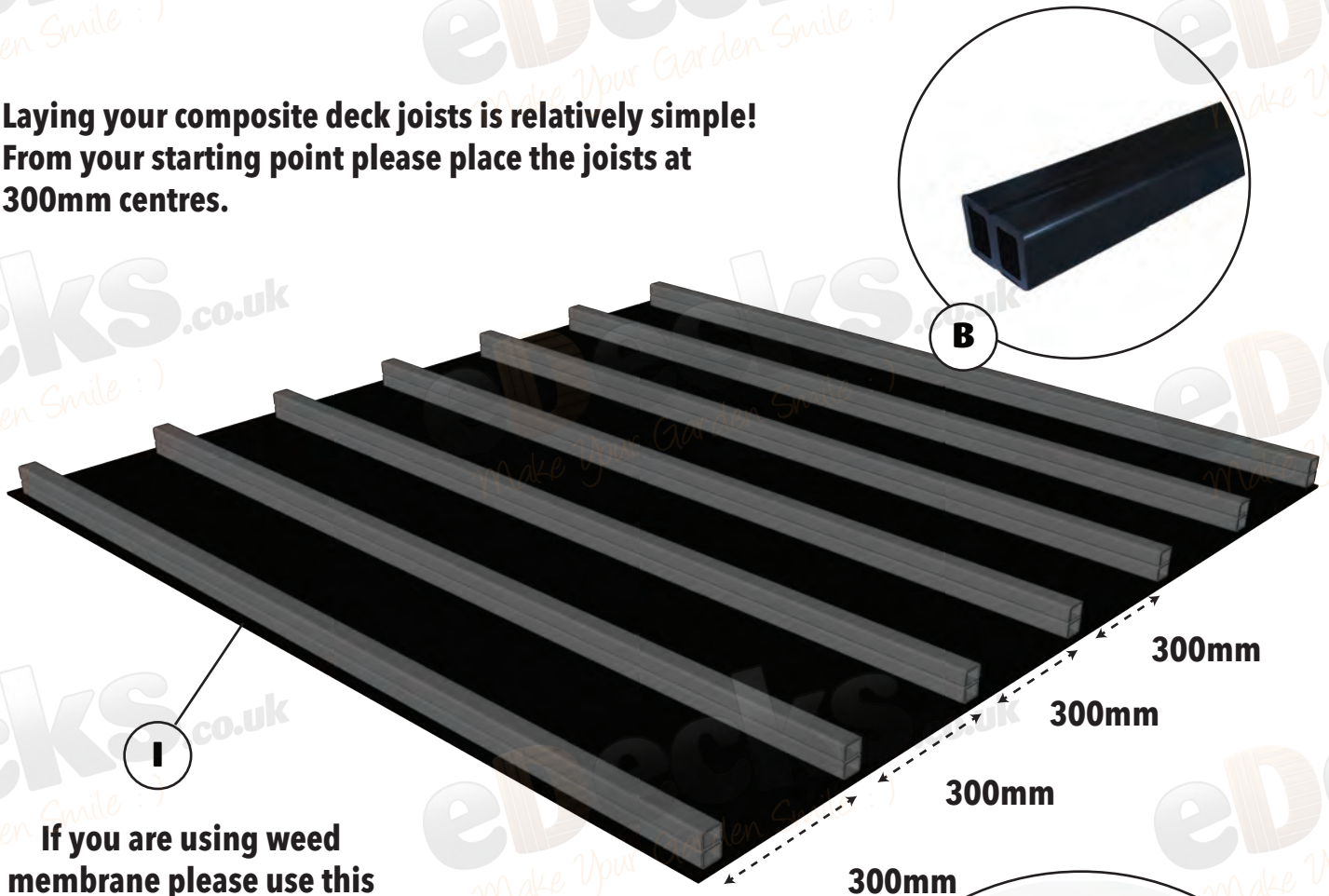


Step 1

THIS IS CRUCIAL

Make sure you lay your deck on a minimum of a 3% incline away from you house so water won't sit!

Laying your composite deck joists is relatively simple!
From your starting point please place the joists at 300mm centres.



If you are using weed membrane please use this under the joists to keep it weighted down

Timber joists can be used as an alternative to composite joists but we do not recommend it!



PLEASE NOTE. IF THESE FITTING INSTRUCTIONS ARE NOT ADHERED TO IT MAY VOID YOUR WARRANTY

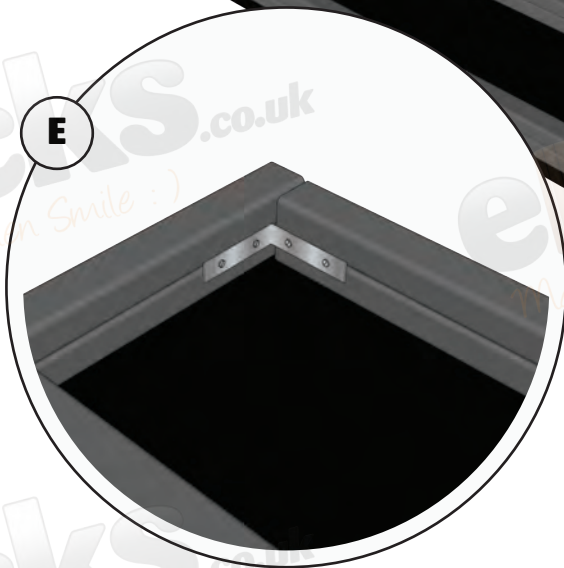
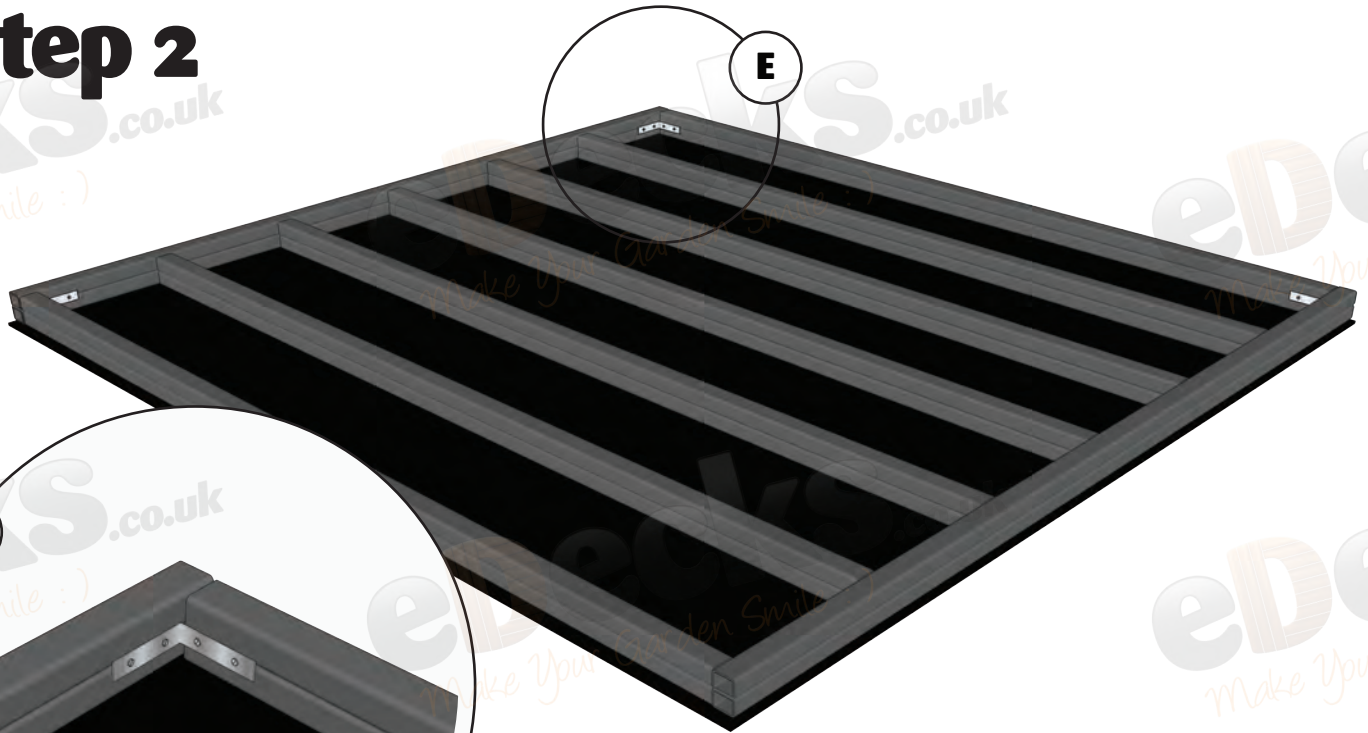
All images are for illustration only, Please see individual item listings for actual item specifications

Composite Decking Installation Guide

SUITABLE FOR ALL OUR COMPOSITE DECKING RANGES



Step 2



The next step is to box in your joist work - to give you a solid structure. This is done using angle brackets & screws.



If using decking pedestals to raise your deck, the pedestals **MUST** be placed at 600mm intervals

PLEASE NOTE. IF THESE FITTING INSTRUCTIONS ARE NOT ADHERED TO IT MAY VOID YOUR WARRANTY

All images are for illustration only, Please see individual item listings for actual item specifications

Composite Decking Installation Guide

SUITABLE FOR ALL OUR COMPOSITE DECKING RANGES

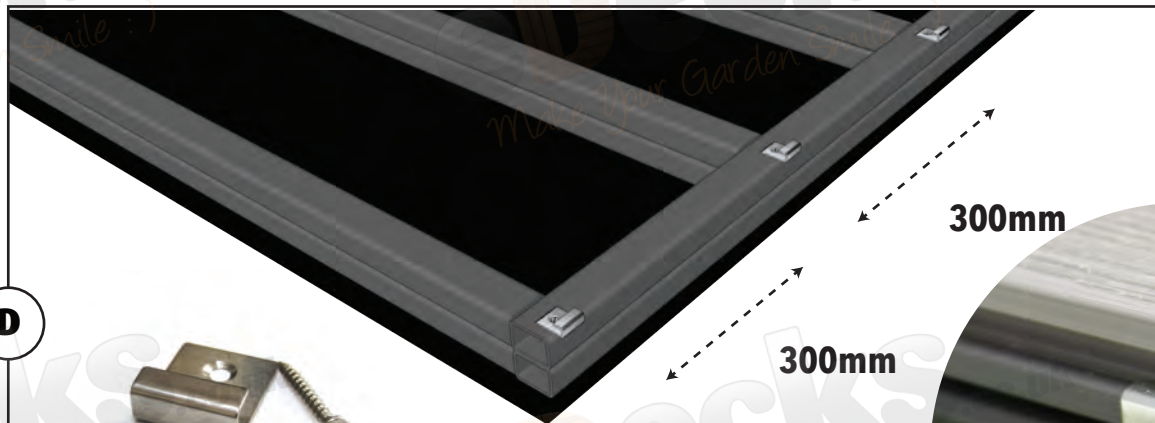


Step 3

To lay your composite deck boards you need to begin by installing starter clips along the leading edge of your frame. This will give you a buffer for your composite deck boards to be laid against.

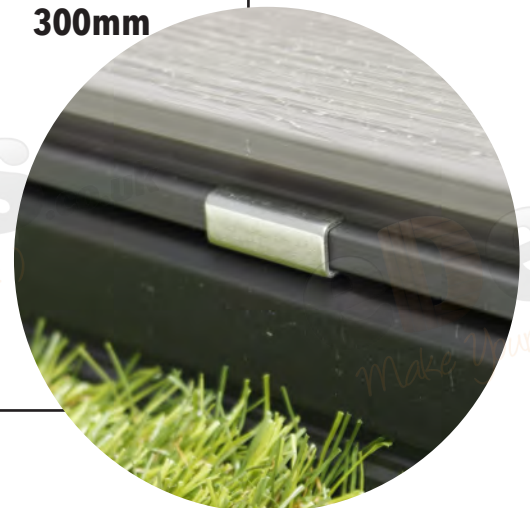


Remember to allow a 5mm expansion gap against any solid structure



D

Crucial! Place your starter & intermediate clips at intervals of 300mm just like your joist work!



PLEASE NOTE. IF THESE FITTING INSTRUCTIONS ARE NOT ADHERED TO IT MAY VOID YOUR WARRANTY

All images are for illustration only, Please see individual item listings for actual item specifications

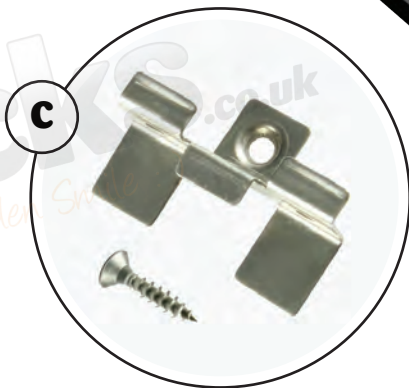
Composite Decking Installation Guide

SUITABLE FOR ALL OUR COMPOSITE DECKING RANGES



Step 4

Once you have slotted your first board into the starter clips, use the stainless steel fixing clips for the following boards. The clips will give you a 3-5mm expansion.



CRUCIAL!
Place your starter & intermediate clips at intervals of 300mm just like your joist work!

PLEASE NOTE. IF THESE FITTING INSTRUCTIONS ARE NOT ADHERED TO IT MAY VOID YOUR WARRANTY

All images are for illustration only, Please see individual item listings for actual item specifications

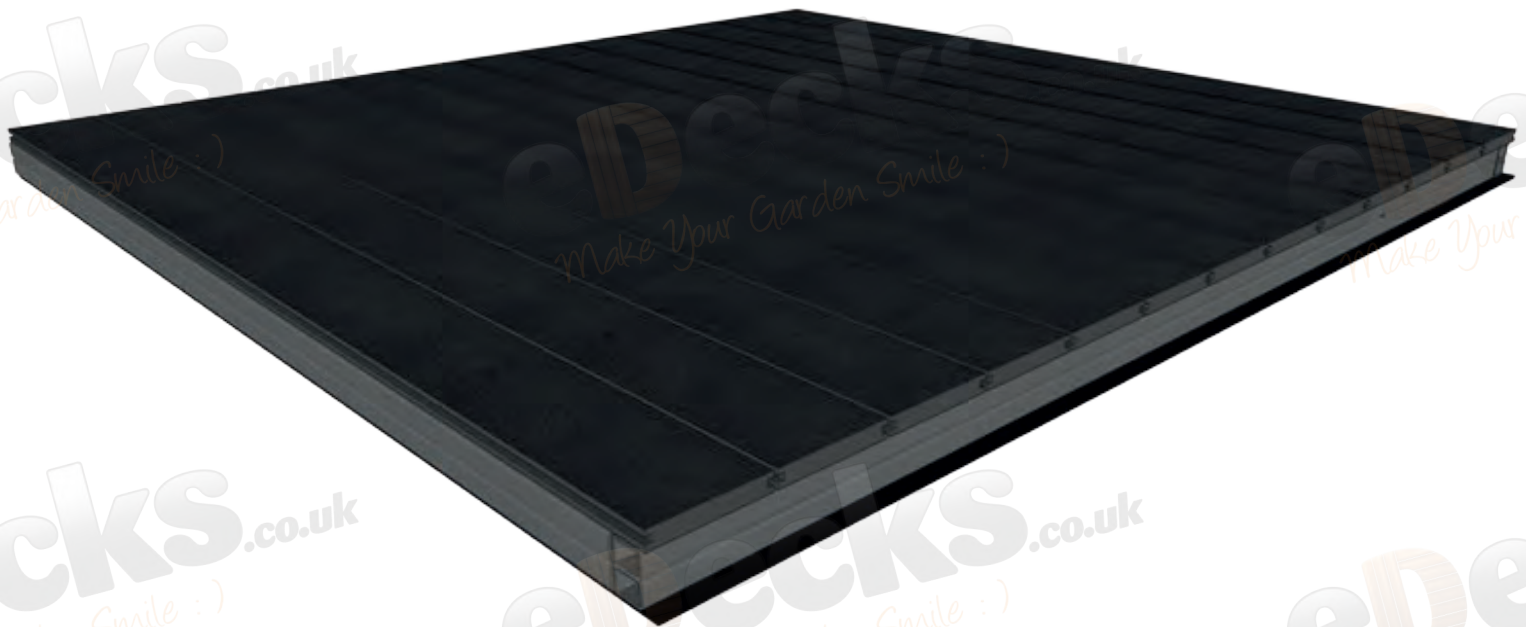
Composite Decking Installation Guide

SUITABLE FOR ALL OUR COMPOSITE DECKING RANGES



Step 5

Once you have laid your decking the last length needs securing, use a screw at 45° to fix the board as shown



The composite edging trim is designed to go around the edge of your deck to hide the showing grooves of the boards / fascias. The trim is fitted using our GB PRO Adhesive



PLEASE NOTE. IF THESE FITTING INSTRUCTIONS ARE NOT ADHERED TO IT MAY VOID YOUR WARRANTY

All images are for illustration only, Please see individual item listings for actual item specifications

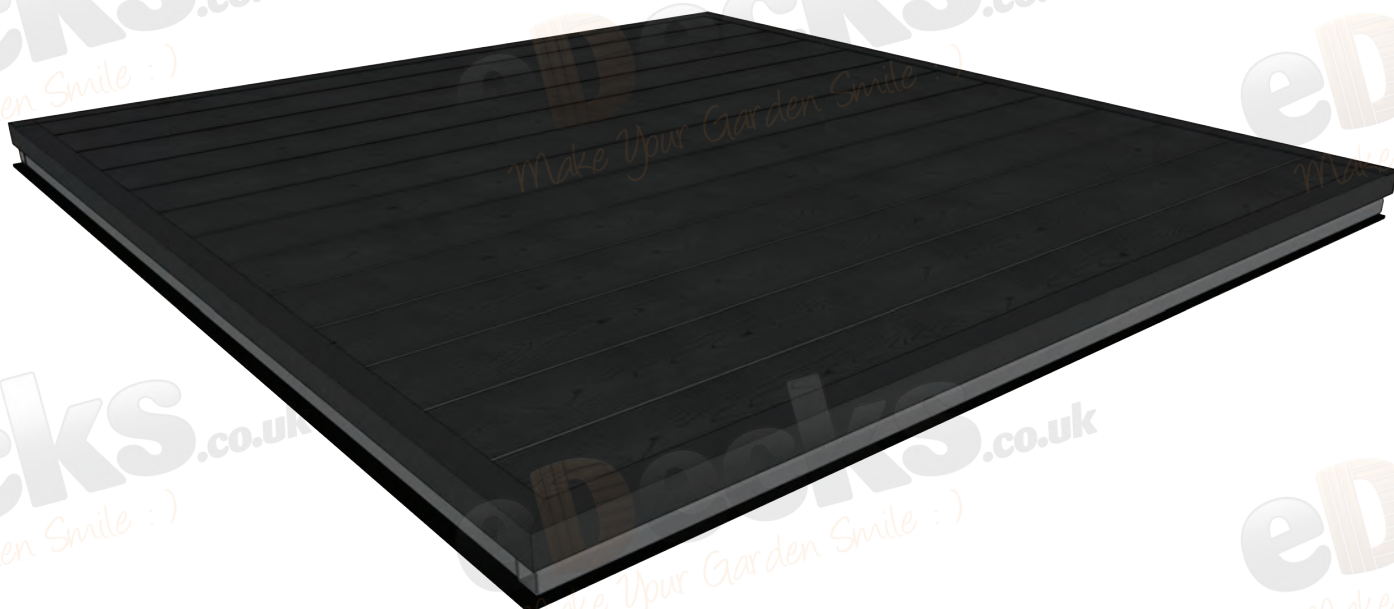
Composite Decking Installation Guide

SUITABLE FOR ALL OUR COMPOSITE DECKING RANGES



Finish!

Using a stiff nylon or synthetic brush and composite cleaner will keep your deck looking fresh! Simply rinse with fresh clean water **DO NOT USE** bleach based cleaners.



PLEASE NOTE. IF THESE FITTING INSTRUCTIONS ARE NOT ADHERED TO IT MAY VOID YOUR WARRANTY

All images are for illustration only, Please see individual item listings for actual item specifications