

Classico Pergola (2400mm x 2400mm)



Component List

4 x Pergola Corner Posts (92mm x 92mm) 2700mm	(A)
2 x Roof Frame (92mm x 42mm) 2400mm	(B)
2 x Roof Frame (92mm x 42mm) 2315mm	(C)
4 x Diagonal Roof Trusses (92mm x 42mm) 1600mm - Angle Cut	(D)
4 x Side to Side Roof Trusses (92mm x 42mm) 1145mm - Angle Cut	(E)
8 x Corner Support Braces (92mm x 42mm) 470mm	(F)
1 x Roof Centre Block	(G)
2 x Frame Edging (100mm x 19mm) 2215mm	(H)
70 x 75mm Green Screws	(FIX1)

Tools Required

Drill Driver
PZ2 Driver Bit
Pencil
Tape Measure
Stanley Knife
Hand Saw
Spirit Level

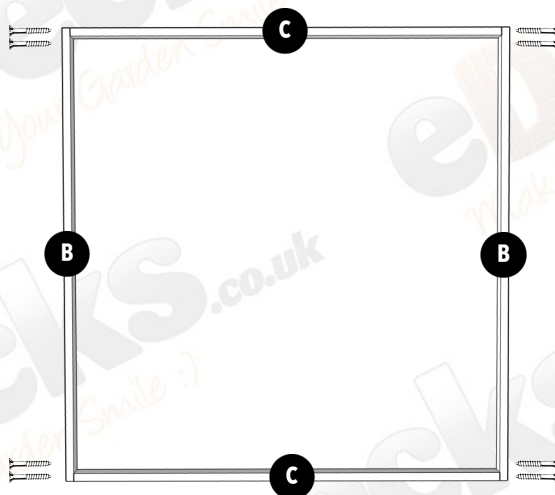
A minimum of two people are required to assemble this gazebo.

Classico Pergola (2400mm x 2400mm)



Step 1

The first thing that needs to be made is the square roof frame, this is created using parts **(B)** and **(C)** and fixed in place using 2 x 75mm Green Screws **(FIX1)** in each corner.

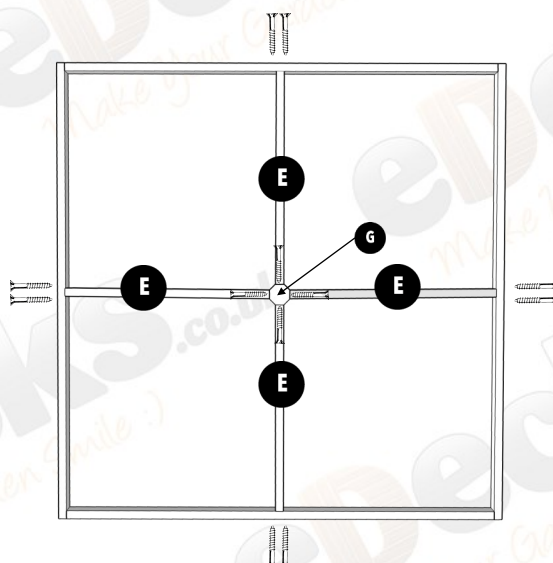


Step 2

Once the roof frame is made the first set of rafters can be installed.

Using a tape measure, find the middle of each side of the frame that you have just built and attach rafters **(E)** to the frame using 2 x 75mm Green Screws **(FIX1)** at the bottom, repeat four times until all are fixed in position.

Once the four rafters are attached, you can insert roof centre block **(G)** which will join all four rafters together to form an apex, fix in place using 1 x 75mm Green Screws **(FIX1)** per rafter.



All images are for illustration only. Please see individual item listings for actual item specifications.

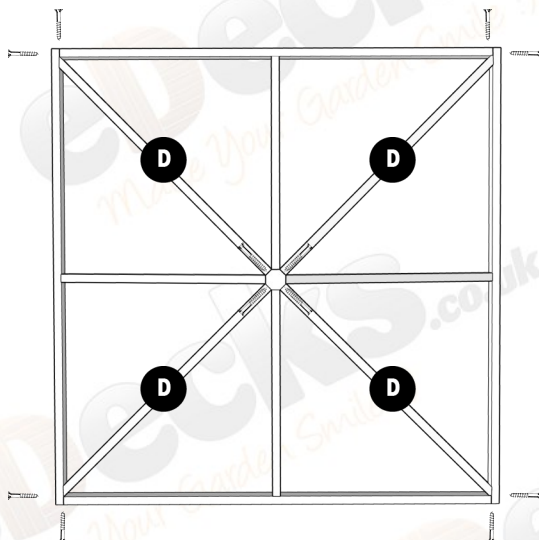
Page 2 of 5

Classico Pergola (2400mm x 2400mm)



Step 3

To complete the roof frame the diagonal rafters (**D**) can now be installed, similarly to the ones in the previous step, again, fixed into position with 2 x 75mm Green Screws (**FIX1**) into the frame and one screw into the centre block.



Attention

To ensure a snug fit, the diagonal rafters (**D**) may require some slight trimming at the centre block end.

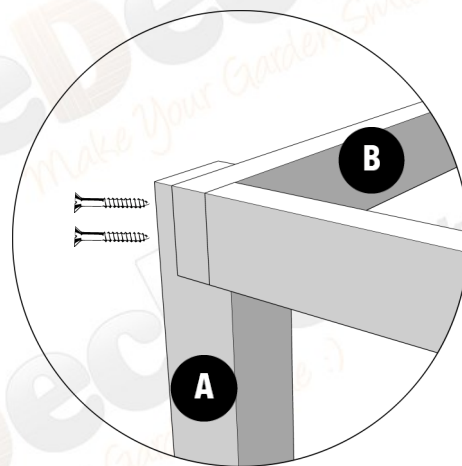
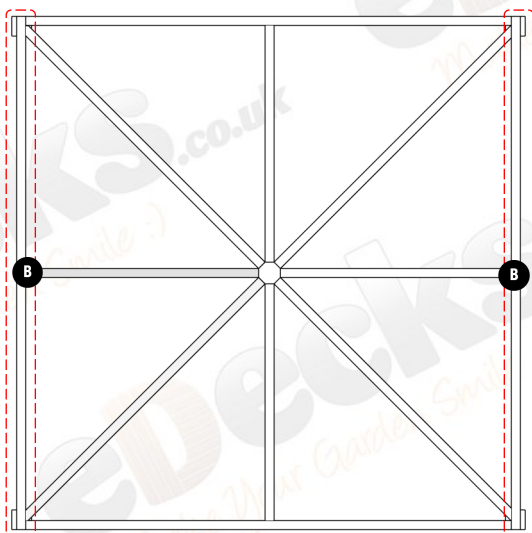
Step 4

With the roof frame built, the four corner posts (**A**) can now be installed.

It is important that the both posts are installed on the same side of the frame, see diagram below for clarification, if this isn't adhered to the rest of the build won't fit together properly.

The post are notched at one side leaving an upright on one edge, this goes to the outside of the frame and is secured in place using 2 x 75mm Green Screws (**FIX 1**) per corner.

IMPORTANT: This will require a minimum of 2—4 people, do not attempt alone!



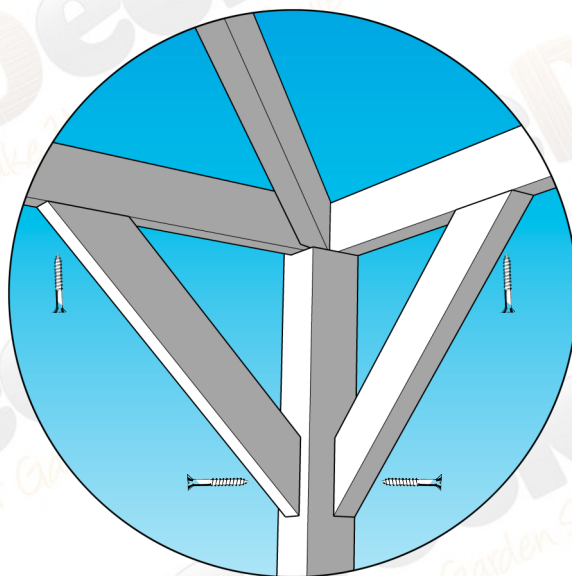
All images are for illustration only. Please see individual item listings for actual item specifications.

Classico Pergola (2400mm x 2400mm)



Step 5

In all four corners, install the support braces 470mm (F) and secure in position using 2 x 75mm Green Screws (FIX 1).

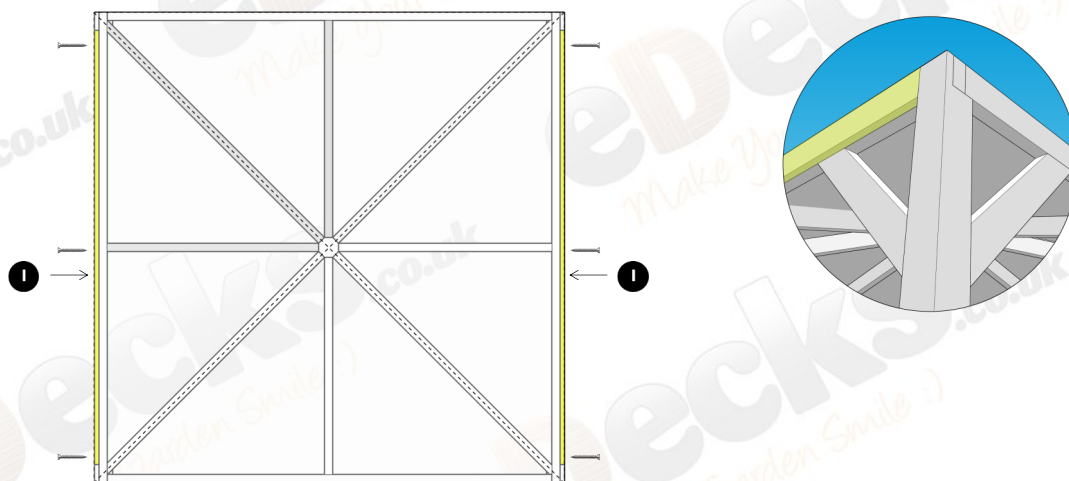


Step 6

As post have been fastened to the outside edge of two side of the pergola this creates a slightly off square finish, so to level things up it is at this point that you install the 2 x Frame Edging pieces (H).

These are supplied slightly oversize so that you can trim them to be an exact fit.

To secure in place use 3 x 75mm Green Screws (FIX1) per side as indicated below.



All images are for illustration only. Please see individual item listings for actual item specifications.

Classico Pergola (2400mm x 2400mm)



Enjoy your new Classico Pergola!

All images are for illustration only. Please see individual item listings for actual item specifications.

Page 5 of 5