

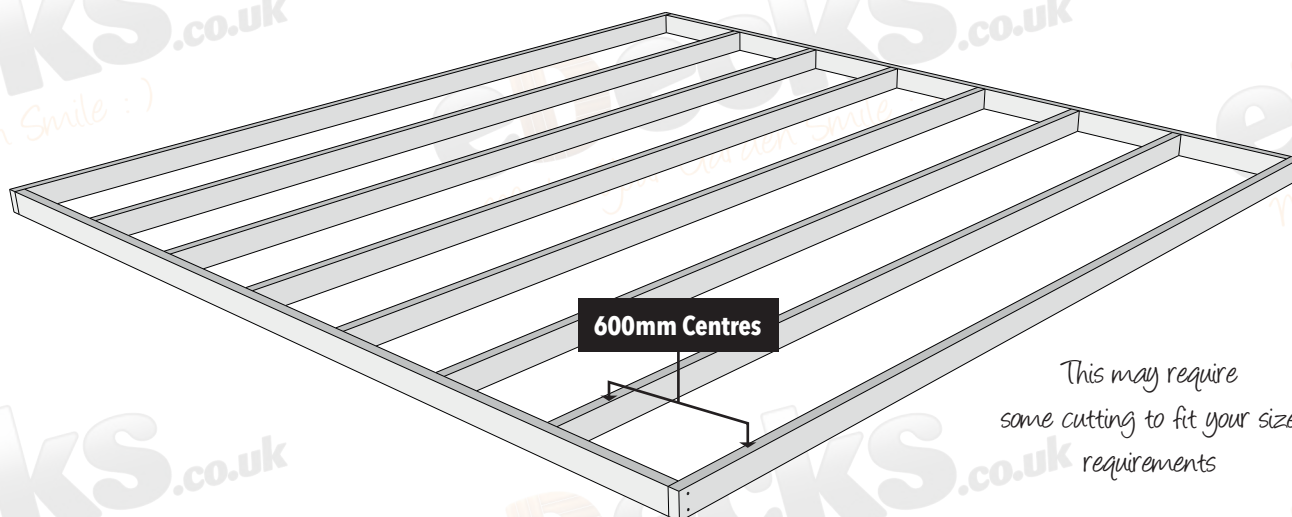


Step 1

LAY YOUR FRAME

This is an example of a decking frame

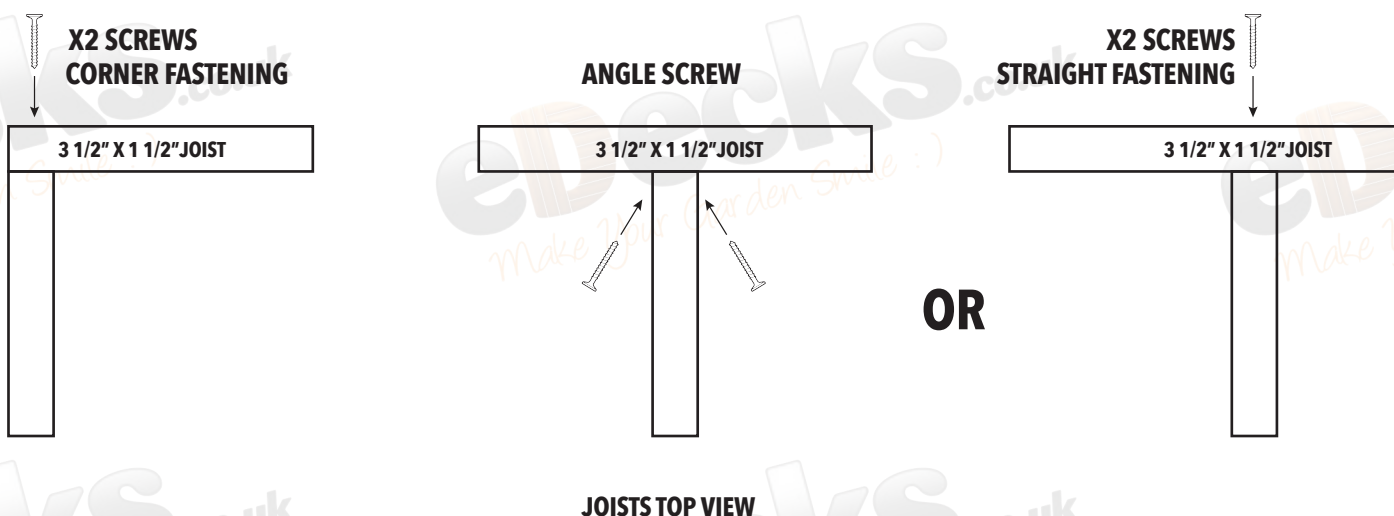
**FRAME TO BE LAID ONTO
PAVING SLABS, OR ONTO
GRASS OR SOIL**



Using the decking joists provided in the Kit (3 1/2" x 1 1/2") build the perimeter first then evenly spread the remaining decking joists inside as shown in the example above, using the 4" x 10g joist screws from the fixing kit.

PLEASE NOTE you may also require Membrane, Fascias, Corner Dolly's, Stain & Additional Joists to strengthen (not provided in kit)

METHOD FOR SCREWING JOISTS



Please make sure the frame fits the requirements for your chosen kit.
Don't forget to check your work with a level as you go!



Step 2

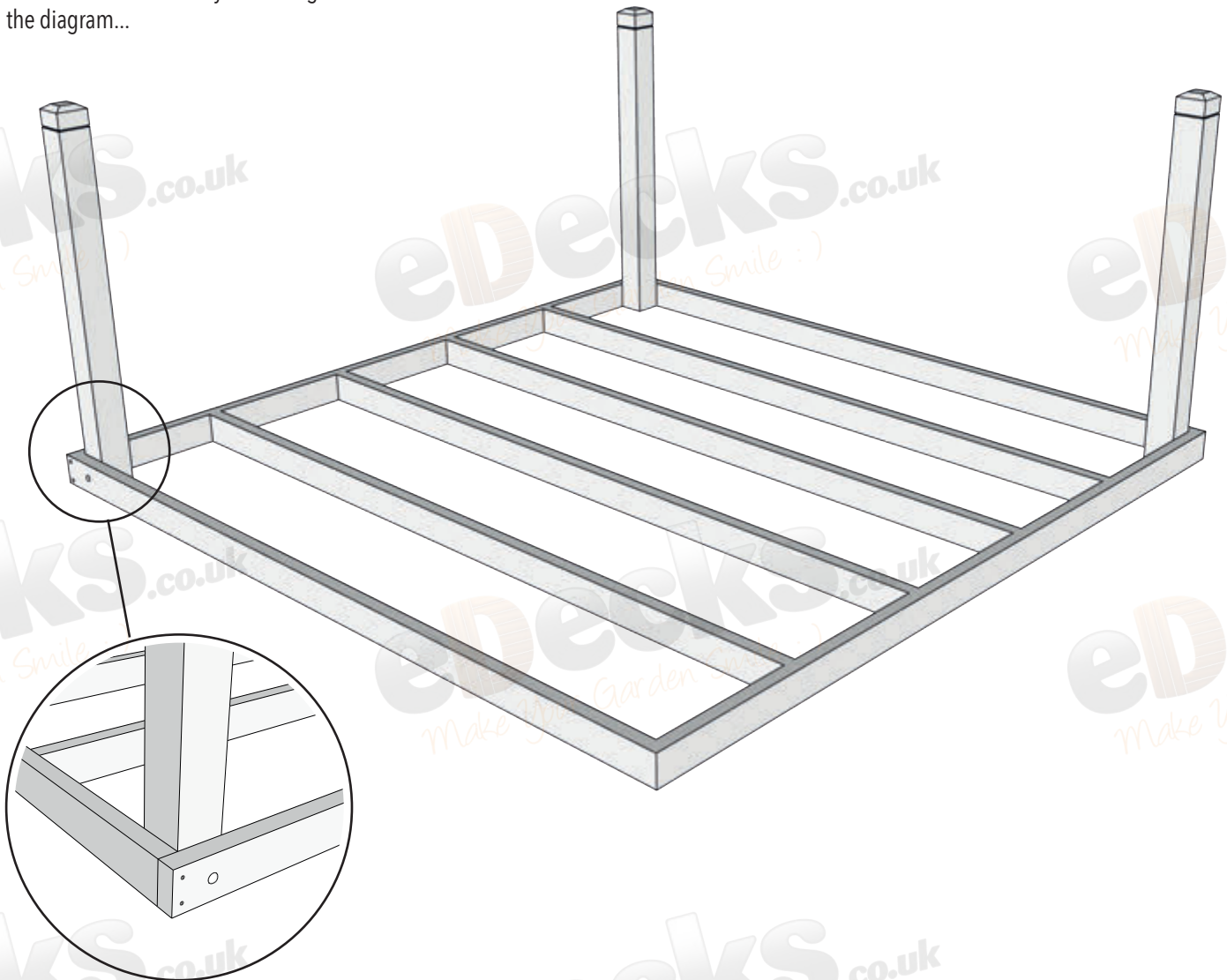
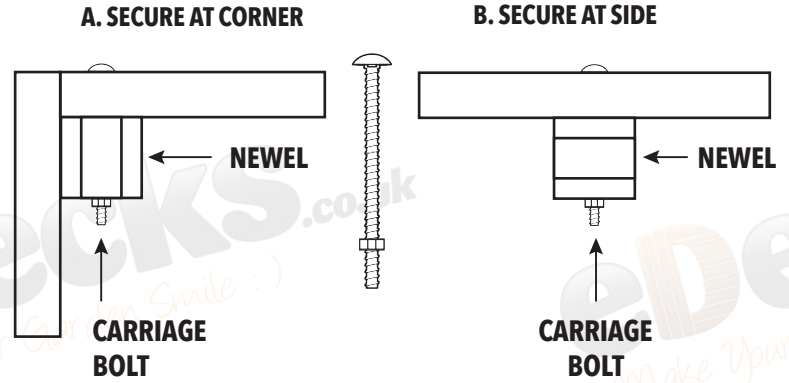
FITTING THE NEWELS (IF INCLUDED)

If your kit includes handrails please follow the instructions on this page, otherwise please proceed to the next step.

Each newel needs securing in each corner (**fig A**) and depending on your kit size might also need securing on the side (**fig B**) do so using Carriage Bolts.

Install all the newels so your kit begins to look like the diagram...

JOISTS TOP VIEW



Don't forget to check your work with a level as you go!

Step 3

PLEASE READ BEFORE INSTALLING DECKING BOARDS

A. We highly recommend drilling pilot holes when fixing in to any hardwood decking. When you drive screws in to timber, you are essentially pushing the wood out of the way to make room for the screw. The wood that has been disturbed puts more pressure on the wood around the screw, which can lead to cracking, splitting and can potentially lead to the boards moving.



B. Start by pre drilling holes ready for screwing as per image A, we recommend using our high quality Spax Decking screws. Keep applying pressure to create the pilot hole until you reach the point as per image B.

C. Now you have your counter sunk hole, screw in your Spax decking screw. Once you feel resistance when screwing down then your screw is in place. The head of the screw will rest on the counter sunk lip.

D. Now that your screw is fixed in take a hardwood plug and firmly push it in to place as per image D. Then, hammer the plug down until the plug is flush with the top of the decking. On some occasions, you may need to chisel the plug to create that smooth flush finish. If this is the case, when chiselling the plug, always follow the grain of the deck board as per image E.

E. Use sandpaper on the area of the plug to blend the plug in to the decking board this will help to give help to hide the join giving a more natural finish.



Don't forget to check your work with a level as you go!

90MM X 19MM HARDWOOD DECKING

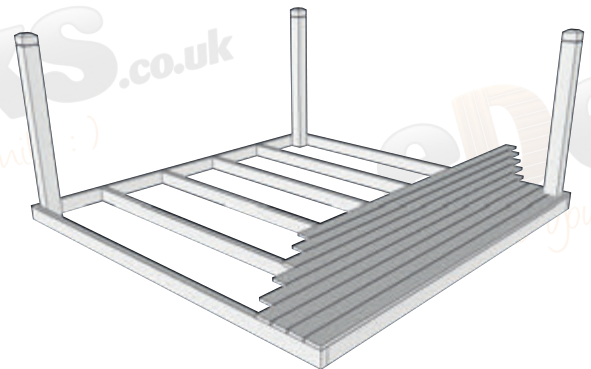
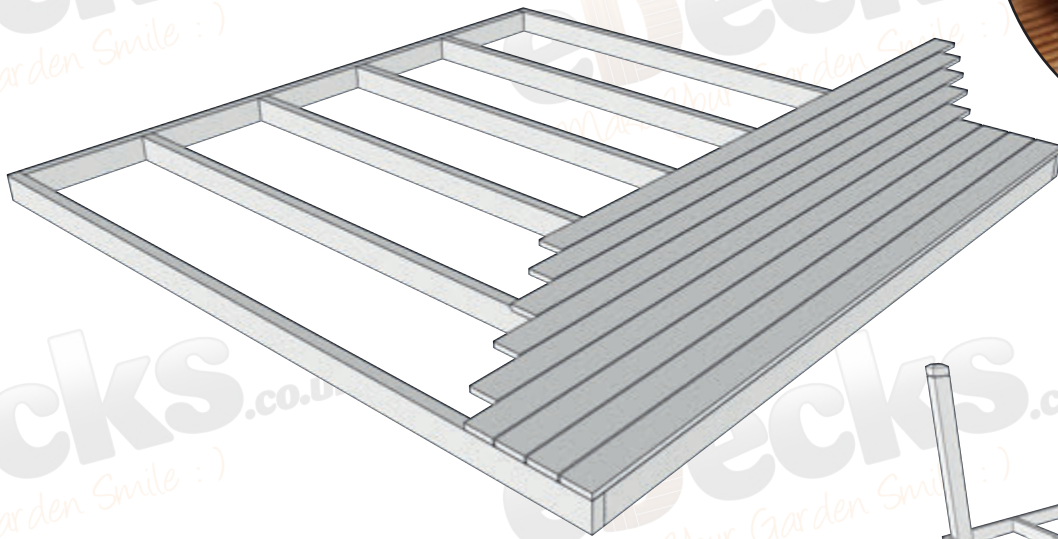
Step 3

INSTALL DECKING BOARDS - NARROW BOARDS

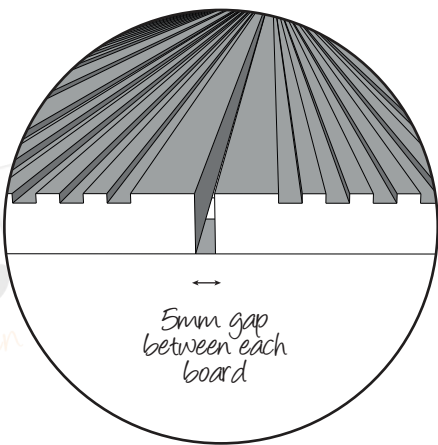
Decking boards should fit exactly to the frame, working in the opposite direction to the joist work, when laying the boards make sure you leave a 5mm gap between each board



Illustration image only



If your kit has handrails you will need to cut around the newels installed in step 2



1 Spax Decking Screw per board, per joist

Don't forget to check your work with a level as you go!



145MM X 21MM HARDWOOD DECKING

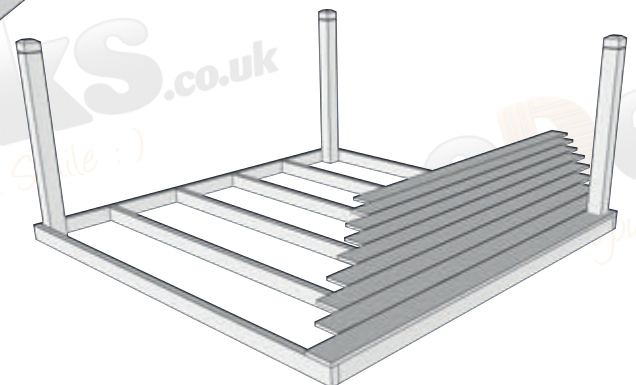
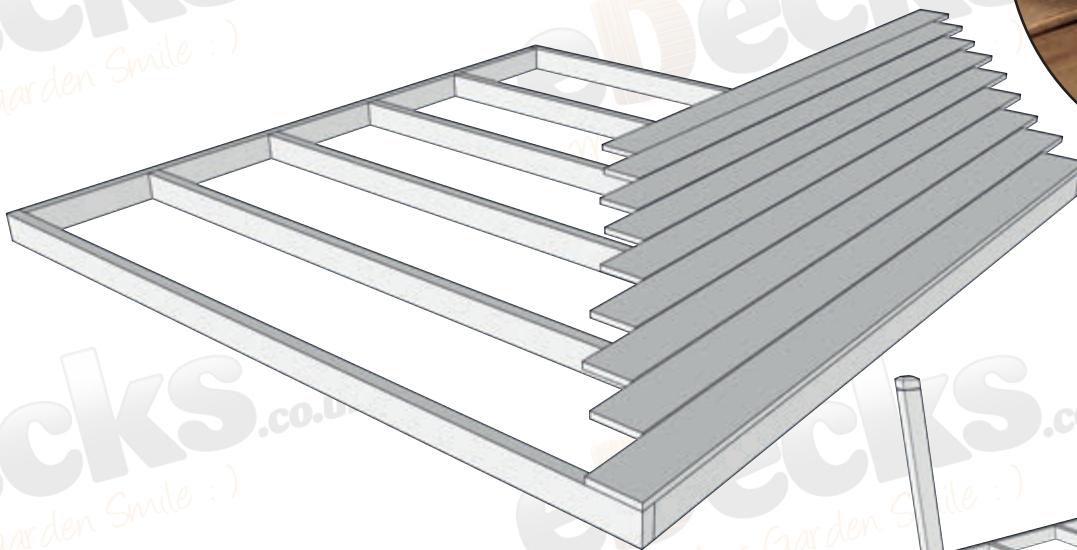
Step 3

INSTALL DECKING BOARDS - WIDE BOARDS

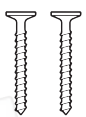
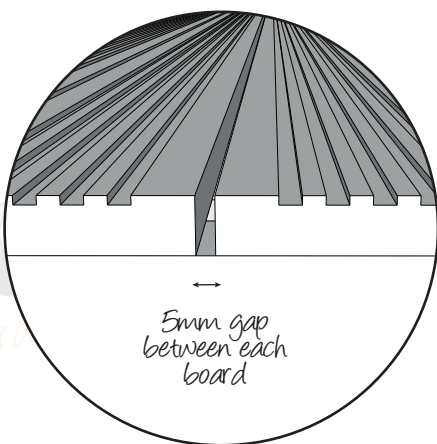
Decking boards should fit exactly to the frame, working in the opposite direction to the joist work, when laying the boards make sure you leave a 5mm gap between each board



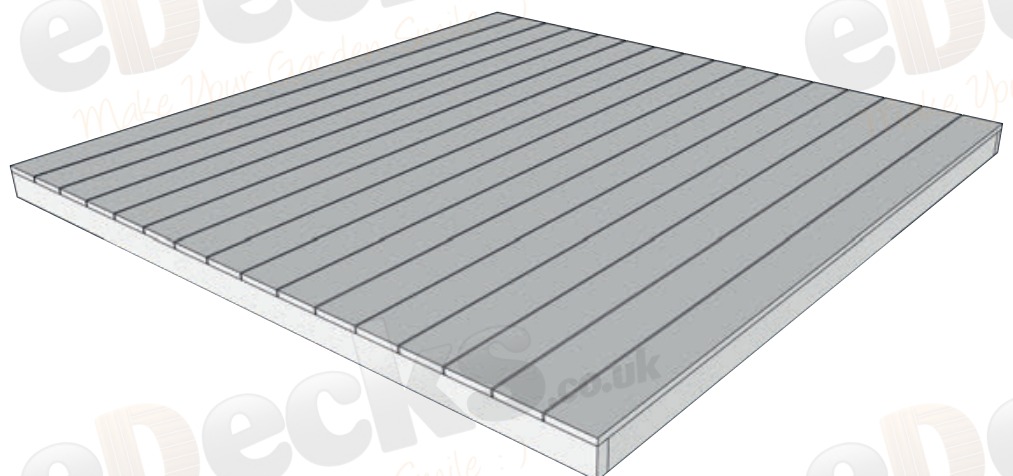
Illustration image only



If your kit has handrails you will need to cut around the newels installed in step 2



2 Spax Decking Screws per board, per joist



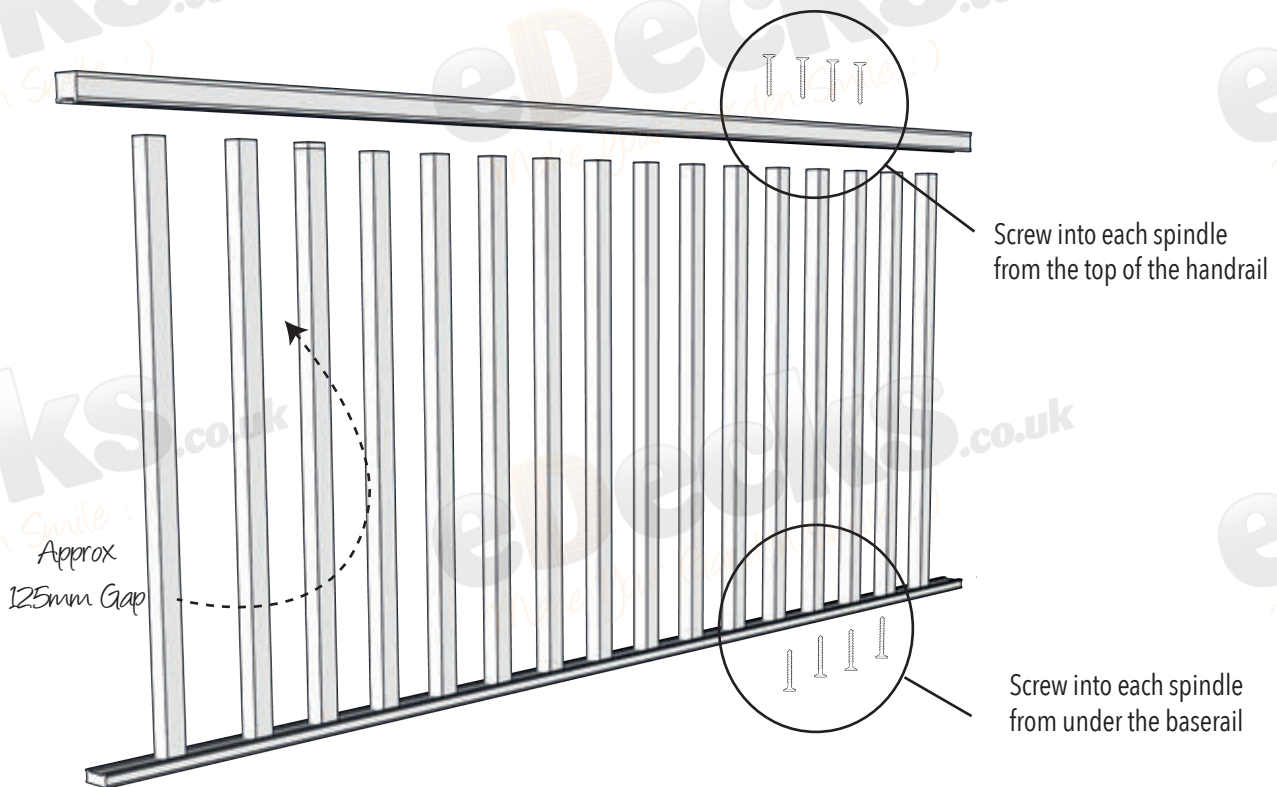
Don't forget to check your work with a level as you go!



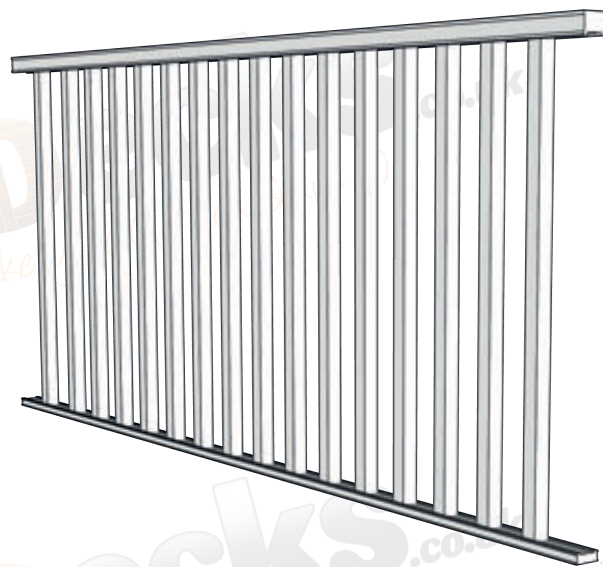
Step 4

HANDRAIL SYSTEM

If your kit option has handrails please follow instructions below for fitting to the Newels installed in step 2. To fix the spindles you should screw into each spindle from under the baserail and through the top of the handrail, space the spindles so they are evenly spaced with approx 125mm gap between each.



You may use wood filler and stain to hide the imperfections left by the screws

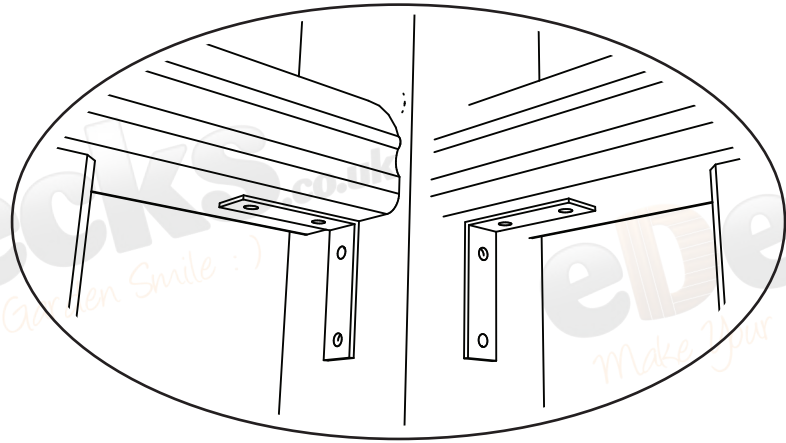


Don't forget to check your work with a level as you go!

Step 4 cont'd

HANDRAIL SYSTEM

Once your handrail sections are complete - using the angle brackets included, please proceed to install to the handrail sections to your kit.



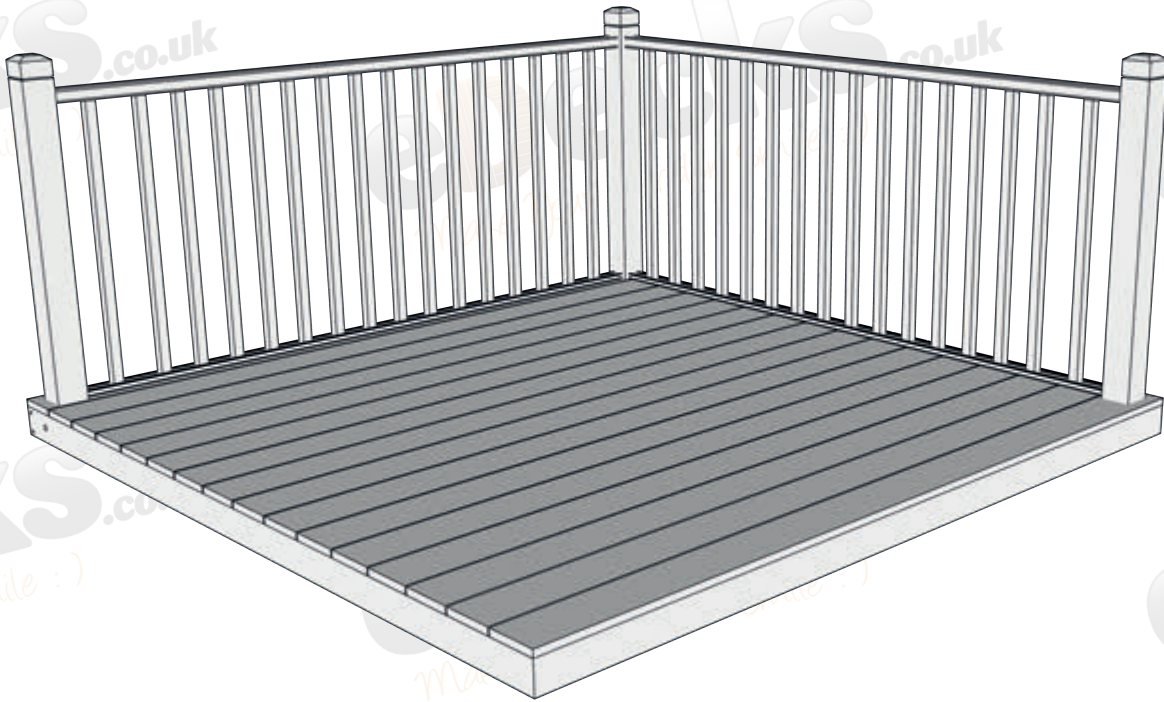
Don't forget to check your work with a level as you go!

Page 7 of 8

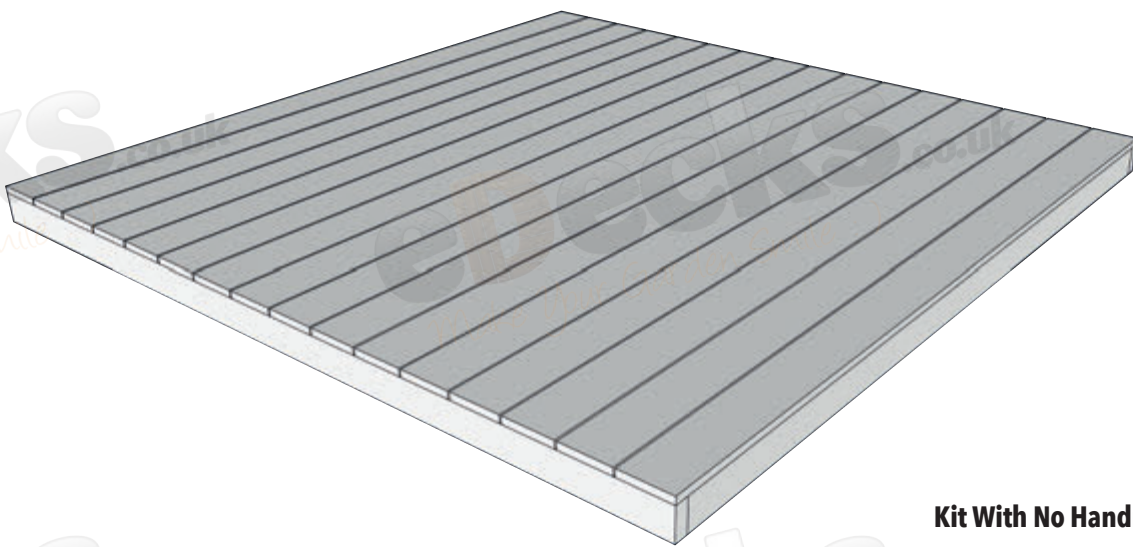
All images are for illustration only, Please see individual item listings for actual item specifications

Step 5

FINISH!



Kit With Handrails



Kit With No Handrails

Once this is complete - Sit back and enjoy!